

BRABURA L CLASS 20

No Ref. BGG0003



OPTIONAL

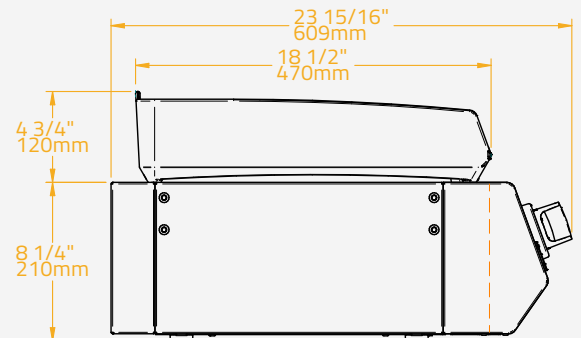
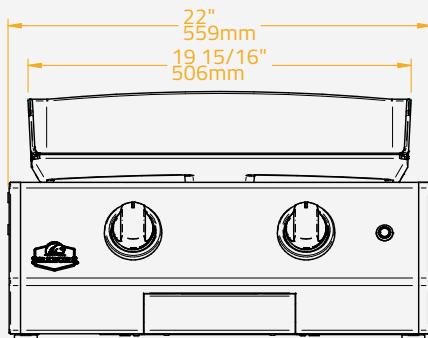
| | |
|--------------------------|----------|
| Lid 20 | BGLD0003 |
| Cover 20 | BGLD0006 |
| Cover 20 Black | BGLD0009 |
| Cart L Class 20 | BGC0003 |
| Cart Matte-Black 20 | BGC0006 |
| Liner 20 | BGL0003 |
| Built-In Soft Cover 20 | BGA0017 |
| Countertop Soft Cover 20 | BGA0023 |

SPECIFICATIONS

| | |
|---------------------------|--------------------------------------|
| Cooking Plate Material | Premium Enamel Cast Iron |
| Plate Thickness | 8.0 mm |
| Cooking Surface Dimension | 2.160 cm ² 48x45 cm |
| Cut-out Dimensions | W56 x D50 x H21 cm |
| Capacity | Suitable for 12-16 people |
| Chassis | 304 Stainless Steel |
| Burner Material | Stainless Steel |
| Configurations | Built-in Countertop Freestanding |
| Gas Type | Butane and Propane Natural Gas |
| Number of Burners | 2 |
| Power | 6.4 kW (G30: 466g/h G31: 457g/h) |
| Ignition Type | Continuous Spark |
| Knobs | LED-lit, Orange White |
| Box Dimensions | 60x61x42 cm |
| Gross Weight | 33.5 kg |
| Pieces per Pallet | 10 |
| Pallet Total Weight | 350 kg |
| Pallet Size | 120x80x225 cm |

WARRANTY

| | |
|--------------------|----------|
| Cooking Plate | 15 years |
| Chassis | 15 years |
| Burners | 15 years |
| Rest of Components | 15 years |



BRABURA

GRILLS

BRABURA MATTE-BLACK 20

No Ref. BGG0009



OPTIONAL

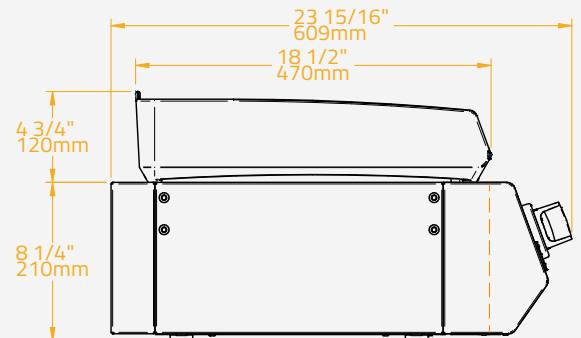
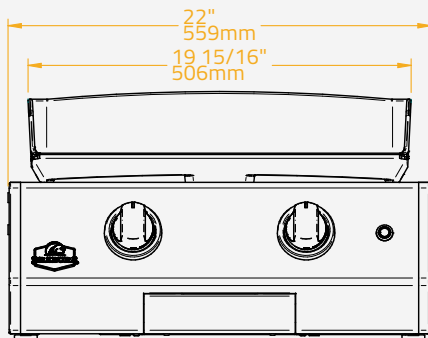
| | |
|--------------------------|----------|
| Lid 20 | BGLD0003 |
| Cover 20 | BGLD0006 |
| Cover 20 Black | BGLD0009 |
| Cart L Class 20 | BGC0003 |
| Cart Matte-Black 20 | BGC0006 |
| Liner 20 | BGL0003 |
| Built-In Soft Cover 20 | BGA0017 |
| Countertop Soft Cover 20 | BGA0023 |

SPECIFICATIONS

| | |
|---------------------------|--|
| Cooking Plate Material | Premium Enamel Cast Iron |
| Plate Thickness | 8.0 mm |
| Cooking Surface Dimension | 2.160 cm ² 48x45 cm |
| Cut-out Dimensions | W56 x D50 x H21 cm |
| Capacity | Suitable for 12-16 people |
| Chassis | Ultra durable powder coated carbon steel |
| Burner Material | Stainless Steel |
| Configurations | Built-in Countertop Freestanding |
| Gas Type | Butane and Propane Natural Gas |
| Number of Burners | 2 |
| Power | 6.4 kW (G30: 466g/h G31: 457g/h) |
| Ignition Type | Continuous Spark |
| Knobs | LED-lit, Orange White |
| Box Dimensions | 60x61x42 cm |
| Gross Weight | 33.5 kg |
| Pieces per Pallet | 10 |
| Pallet Total Weight | 350 kg |
| Pallet Size | 120x80x225 cm |

WARRANTY

| | |
|--------------------|----------|
| Cooking Plate | 15 years |
| Chassis | 15 years |
| Burners | 15 years |
| Rest of Components | 15 years |



BRABURA

GRILLS

BRABURA L CLASS 20 FULL STAINLESS STEEL

No Ref. BGG0006



OPTIONAL

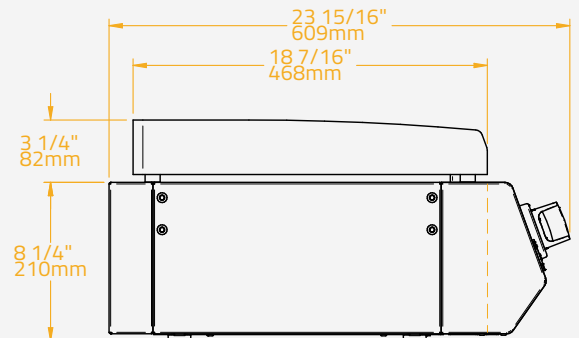
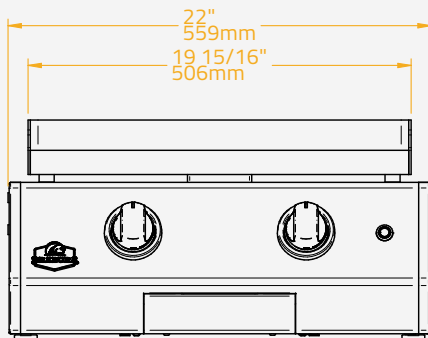
| | |
|--------------------------|----------|
| Lid 20 | BGLD0003 |
| Cover 20 | BGLD0006 |
| Cover 20 Black | BGLD0009 |
| Cart L Class 20 | BGC0003 |
| Cart Matte-Black 20 | BGC0006 |
| Liner 20 | BGL0003 |
| Built-In Soft Cover 20 | BGA0017 |
| Countertop Soft Cover 20 | BGA0023 |

SPECIFICATIONS

| | |
|---------------------------|--------------------------------------|
| Cooking Plate Material | 304 Stainless Steel |
| Plate Thickness | 10.0 mm |
| Cooking Surface Dimension | 2.300 cm ² 50x46 cm |
| Cut-out Dimensions | W56 x D50 x H21 cm |
| Capacity | Suitable for 12-16 people |
| Chassis | 304 Stainless Steel |
| Burner Material | Stainless Steel |
| Configurations | Built-in Countertop Freestanding |
| Gas Type | Butane and Propane Natural Gas |
| Number of Burners | 2 |
| Power | 6.4 kW (G30: 466g/h G31: 457g/h) |
| Ignition Type | Continuous Spark |
| Knobs | LED-lit, Orange White |
| Box Dimensions | 60x61x42 cm |
| Gross Weight | 38.5 kg |
| Pieces per Pallet | 10 |
| Pallet Total Weight | 400 kg |
| Pallet Size | 120x80x225 cm |

WARRANTY

| | |
|--------------------|----------|
| Cooking Plate | 15 years |
| Chassis | 15 years |
| Burners | 15 years |
| Rest of Components | 15 years |



BRABURA
GRILLS

BRABURA MATTE-BLACK 20 STAINLESS STEEL PLATE

No Ref. BGG0012



OPTIONAL

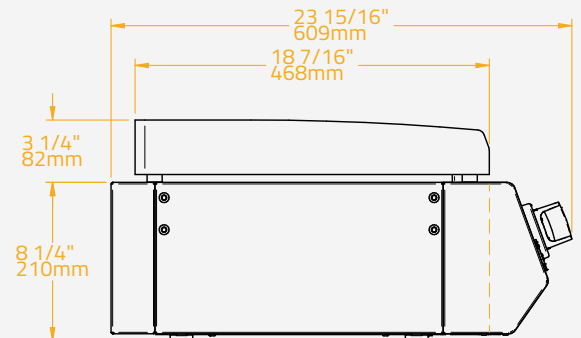
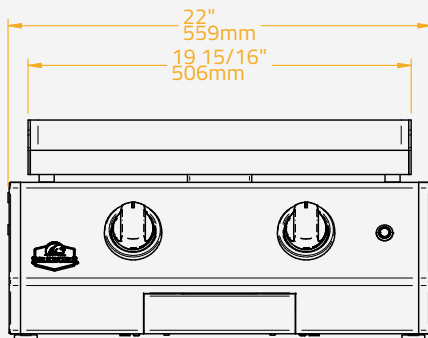
| | |
|--------------------------|----------|
| Lid 20 | BGLD0003 |
| Cover 20 | BGLD0006 |
| Cover 20 Black | BGLD0009 |
| Cart L Class 20 | BGC0003 |
| Cart Matte-Black 20 | BGC0006 |
| Liner 20 | BGL0003 |
| Built-In Soft Cover 20 | BGA0017 |
| Countertop Soft Cover 20 | BGA0023 |

SPECIFICATIONS

| | |
|---------------------------|--|
| Cooking Plate Material | 304 Stainless Steel |
| Plate Thickness | 10.0 mm |
| Cooking Surface Dimension | 2.300 cm ² 50x46 cm |
| Cut-out Dimensions | W56 x D50 x H21 cm |
| Capacity | Suitable for 12-16 people |
| Chassis | Ultra durable powder coated carbon steel |
| Burner Material | Stainless Steel |
| Configurations | Built-in Countertop Freestanding |
| Gas Type | Butane and Propane Natural Gas |
| Number of Burners | 2 |
| Power | 6.4 kW (G30: 466g/h G31: 457g/h) |
| Ignition Type | Continuous Spark |
| Knobs | LED-lit, Orange White |
| Box Dimensions | 60x61x42 cm |
| Gross Weight | 38.5 kg |
| Pieces per Pallet | 10 |
| Pallet Total Weight | 400 kg |
| Pallet Size | 120x80x225 cm |

WARRANTY

| | |
|--------------------|----------|
| Cooking Plate | 15 years |
| Chassis | 15 years |
| Burners | 15 years |
| Rest of Components | 15 years |



BRABURA
GRILLS

BRABURA L CLASS 30

No Ref. BGG0002



OPTIONAL

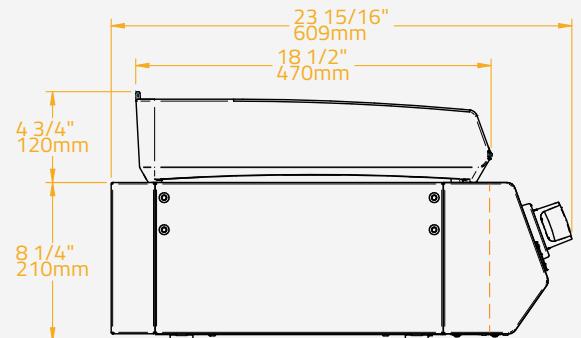
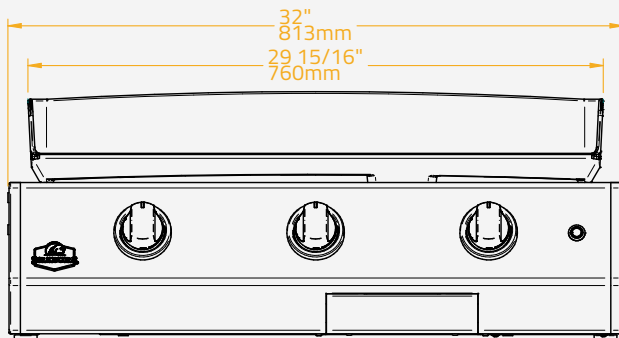
| | |
|--------------------------|----------|
| Lid 30 | BGLD0002 |
| Cover 30 | BGLD0005 |
| Cover 30 Black | BGLD0008 |
| Cart L Class 30 | BGC0002 |
| Cart Matte-Black 30 | BGC0002 |
| Liner 30 | BGL0005 |
| Built-In Soft Cover 30 | BGA0016 |
| Countertop Soft Cover 30 | BGA0022 |

SPECIFICATIONS

| | |
|---------------------------|--------------------------------------|
| Cooking Plate Material | Premium Enamel Cast Iron |
| Plate Thickness | 8.0 mm |
| Cooking Surface Dimension | 3.300 cm ² 74x45 cm |
| Cut-out Dimensions | W82 x D50 x H21 cm |
| Capacity | Suitable for 15-20 people |
| Chassis | 304 Stainless Steel |
| Burner Material | Stainless Steel |
| Configurations | Built-in Countertop Freestanding |
| Gas Type | Butane and Propane Natural Gas |
| Number of Burners | 3 |
| Power | 9.6 kW (G30: 699g/h G31: 686g/h) |
| Ignition Type | Continuous Spark |
| Knobs | LED-lit, Orange White |
| Box Dimensions | 84x61x42 cm |
| Gross Weight | 43 kg |
| Pieces per Pallet | 10 |
| Pallet Total Weight | 445 kg |
| Pallet Size | 120x100x225 cm |

WARRANTY

| | |
|--------------------|----------|
| Cooking Plate | 15 years |
| Chassis | 15 years |
| Burners | 15 years |
| Rest of Components | 15 years |



BRABURA
GRILLS

BRABURA MATTE-BLACK 30

No Ref. BGG0008



OPTIONAL

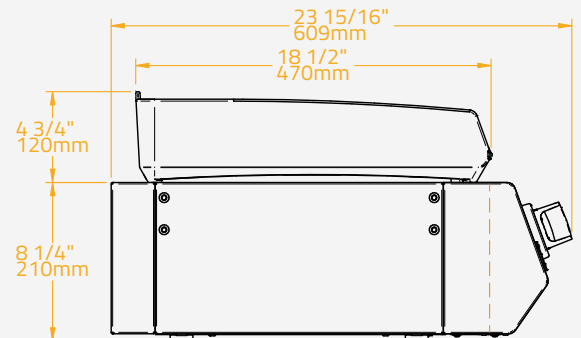
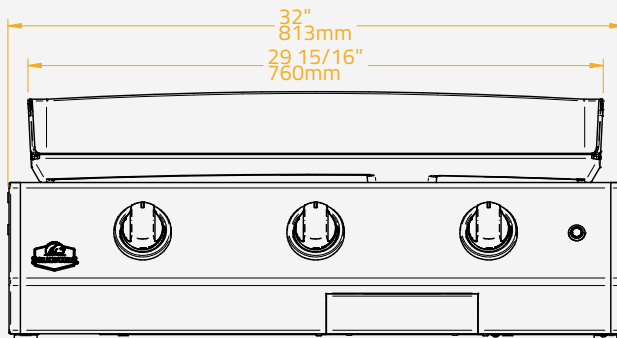
| | |
|--------------------------|----------|
| Lid 30 | BGLD0002 |
| Cover 30 | BGLD0005 |
| Cover 30 Black | BGLD0008 |
| Cart L Class 30 | BGC0002 |
| Cart Matte-Black 30 | BGC0002 |
| Liner 30 | BGL0005 |
| Built-In Soft Cover 30 | BGA0016 |
| Countertop Soft Cover 30 | BGA0022 |

SPECIFICATIONS

| | |
|---------------------------|--|
| Cooking Plate Material | Premium Enamel Cast Iron |
| Plate Thickness | 8.0 mm |
| Cooking Surface Dimension | 3.300 cm ² 74x45 cm |
| Cut-out Dimensions | W82 x D50 x H21 cm |
| Capacity | Suitable for 15-20 people |
| Chassis | Ultra durable powder coated carbon steel |
| Burner Material | Stainless Steel |
| Configurations | Built-in Countertop Freestanding |
| Gas Type | Butane and Propane Natural Gas |
| Number of Burners | 3 |
| Power | 9.6 kW (G30: 699g/h G31: 686g/h) |
| Ignition Type | Continuous Spark |
| Knobs | LED-lit, Orange White |
| Box Dimensions | 84x61x42 cm |
| Gross Weight | 43 kg |
| Pieces per Pallet | 10 |
| Pallet Total Weight | 445 kg |
| Pallet Size | 120x100x225 cm |

WARRANTY

| | |
|--------------------|----------|
| Cooking Plate | 15 years |
| Chassis | 15 years |
| Burners | 15 years |
| Rest of Components | 15 years |



BRABURA

GRILLS

BRABURA L CLASS 30 FULL STAINLESS STEEL

No Ref. BGG0005



OPTIONAL

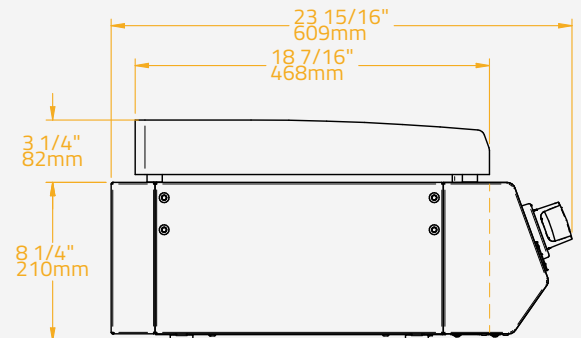
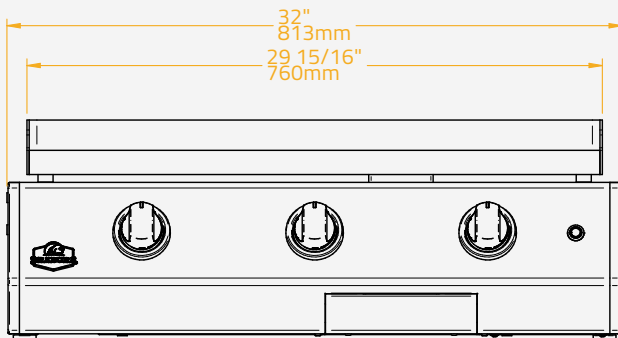
| | |
|--------------------------|----------|
| Lid 30 | BGLD0002 |
| Cover 30 | BGLD0005 |
| Cover 30 Black | BGLD0008 |
| Cart L Class 30 | BGC0002 |
| Cart Matte-Black 30 | BGC0002 |
| Liner 30 | BGL0005 |
| Built-In Soft Cover 30 | BGA0016 |
| Countertop Soft Cover 30 | BGA0022 |

SPECIFICATIONS

| | |
|---------------------------|--------------------------------------|
| Cooking Plate Material | 304 Stainless Steel |
| Plate Thickness | 10.0 mm |
| Cooking Surface Dimension | 3.496 cm ² 76x46 cm |
| Cut-out Dimensions | W82 x D50 x H21 cm |
| Capacity | Suitable for 15-20 people |
| Chassis | 304 Stainless Steel |
| Burner Material | Stainless Steel |
| Configurations | Built-in Countertop Freestanding |
| Gas Type | Butane and Propane Natural Gas |
| Number of Burners | 3 |
| Power | 9.6 kW (G30: 699g/h G31: 686g/h) |
| Ignition Type | Continuous Spark |
| Knobs | LED-lit, Orange White |
| Box Dimensions | 84x61x42 cm |
| Gross Weight | 51 kg |
| Pieces per Pallet | 10 |
| Pallet Total Weight | 525 kg |
| Pallet Size | 120x100x225 cm |

WARRANTY

| | |
|--------------------|----------|
| Cooking Plate | 15 years |
| Chassis | 15 years |
| Burners | 15 years |
| Rest of Components | 15 years |



BRABURA

GRILLS

BRABURA MATTE-BLACK 30 STAINLESS STEEL PLATE

No Ref. BGG0011



OPTIONAL

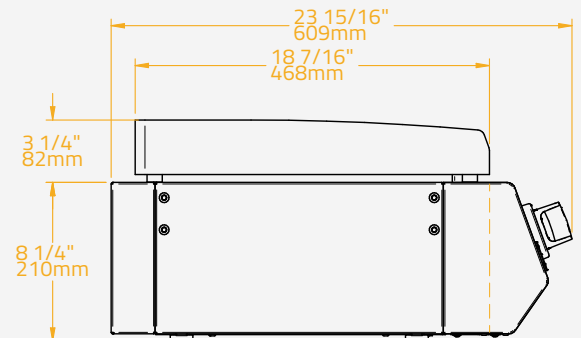
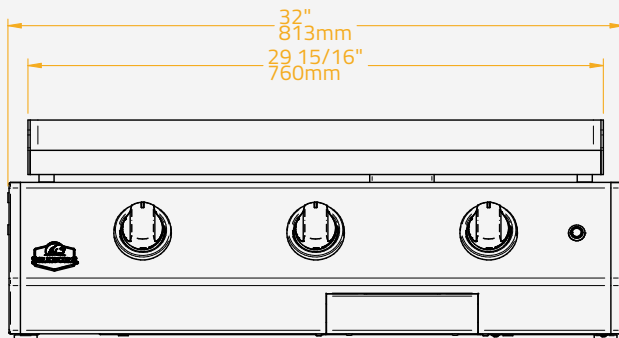
| | |
|--------------------------|----------|
| Lid 30 | BGLD0002 |
| Cover 30 | BGLD0005 |
| Cover 30 Black | BGLD0008 |
| Cart L Class 30 | BGC0002 |
| Cart Matte-Black 30 | BGC0002 |
| Liner 30 | BGL0005 |
| Built-In Soft Cover 30 | BGA0016 |
| Countertop Soft Cover 30 | BGA0022 |

SPECIFICATIONS

| | |
|---------------------------|--|
| Cooking Plate Material | 304 Stainless Steel |
| Plate Thickness | 10.0 mm |
| Cooking Surface Dimension | 3.496 cm ² 76x46 cm |
| Cut-out Dimensions | W82 x D50 x H21 cm |
| Capacity | Suitable for 15-20 people |
| Chassis | Ultra durable powder coated carbon steel |
| Burner Material | Stainless Steel |
| Configurations | Built-in Countertop Freestanding |
| Gas Type | Butane and Propane Natural Gas |
| Number of Burners | 3 |
| Power | 9.6 kW (G30: 699g/h G31: 686g/h) |
| Ignition Type | Continuous Spark |
| Knobs | LED-lit, Orange White |
| Box Dimensions | 84x61x42 cm |
| Gross Weight | 51 kg |
| Pieces per Pallet | 10 |
| Pallet Total Weight | 525 kg |
| Pallet Size | 120x100x225 cm |

WARRANTY

| | |
|--------------------|----------|
| Cooking Plate | 15 years |
| Chassis | 15 years |
| Burners | 15 years |
| Rest of Components | 15 years |



BRABURA

GRILLS

BRABURA L CLASS 40

No Ref. BGG0001



OPTIONAL

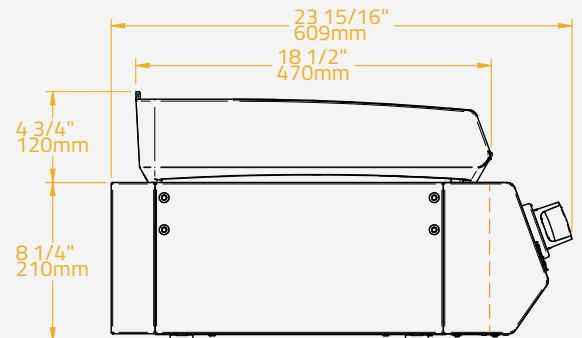
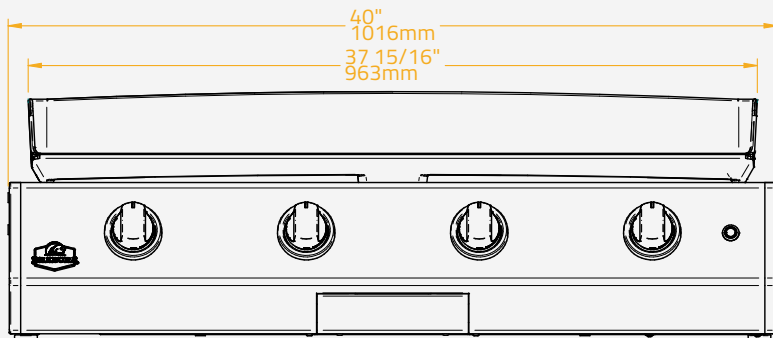
| | |
|--------------------------|----------|
| Lid 40 | BGLD0001 |
| Cover 40 | BGLD0004 |
| Cover 40 Black | BGLD0007 |
| Cart L Class 40 | BGC0001 |
| Cart Matte-Black 40 | BGC0001 |
| Liner 40 | BGL0004 |
| Built-In Soft Cover 40 | BGA0015 |
| Countertop Soft Cover 40 | BGA0021 |

SPECIFICATIONS

| | |
|---------------------------|--------------------------------------|
| Cooking Plate Material | Premium Enamel Cast Iron |
| Plate Thickness | 8.0 mm |
| Cooking Surface Dimension | 4.230 cm ² 94x45 cm |
| Cut-out Dimensions | W102 x D50 x H21 cm |
| Capacity | Suitable for 25-30 people |
| Chassis | 304 Stainless Steel |
| Burner Material | Stainless Steel |
| Configurations | Built-in Countertop Freestanding |
| Gas Type | Butane and Propane Natural Gas |
| Number of Burners | 4 |
| Power | 12.8 kW (G30: 931g/h G31: 915g/h) |
| Ignition Type | Continuous Spark |
| Knobs | LED-lit, Orange White |
| Box Dimensions | 103x61x42 cm |
| Gross Weight | 52 kg |
| Pieces per Pallet | 10 |
| Pallet Total Weight | 535 kg |
| Pallet Size | 120x110x225 cm |

WARRANTY

| | |
|--------------------|----------|
| Cooking Plate | 15 years |
| Chassis | 15 years |
| Burners | 15 years |
| Rest of Components | 15 years |



BRABURA

GRILLS

BRABURA MATTE-BLACK 40

No Ref. BGG0007



OPTIONAL

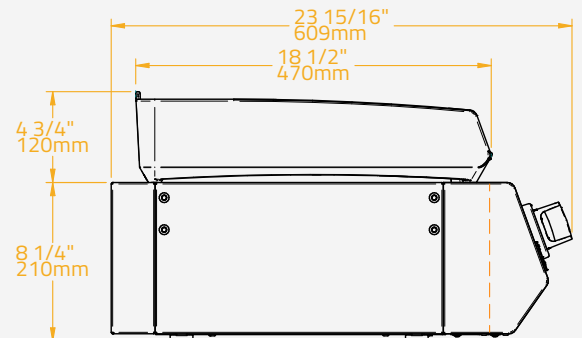
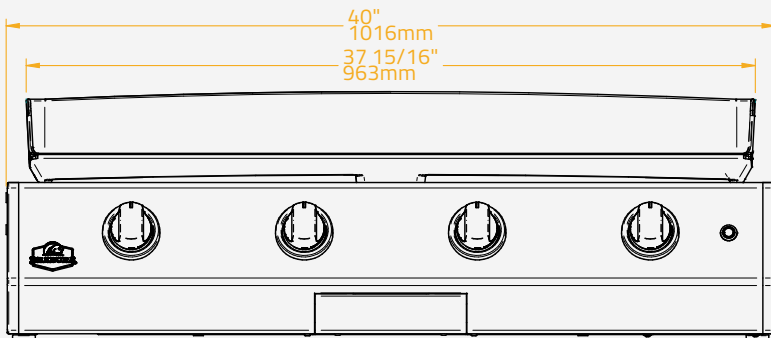
| | |
|--------------------------|----------|
| Lid 40 | BGLD0001 |
| Cover 40 | BGLD0004 |
| Cover 40 Black | BGLD0007 |
| Cart L Class 40 | BGC0001 |
| Cart Matte-Black 40 | BGC0001 |
| Liner 40 | BGL0004 |
| Built-In Soft Cover 40 | BGA0015 |
| Countertop Soft Cover 40 | BGA0021 |

SPECIFICATIONS

| | |
|---------------------------|--|
| Cooking Plate Material | Premium Enamel Cast Iron |
| Plate Thickness | 8.0 mm |
| Cooking Surface Dimension | 4.230 cm ² 94x45 cm |
| Cut-out Dimensions | W102 x D50 x H21 cm |
| Capacity | Suitable for 25-30 people |
| Chassis | Ultra durable powder coated carbon steel |
| Burner Material | Stainless Steel |
| Configurations | Built-in Countertop Freestanding |
| Gas Type | Butane and Propane Natural Gas |
| Number of Burners | 4 |
| Power | 12.8 kW (G30: 931g/h G31: 915g/h) |
| Ignition Type | Continuous Spark |
| Knobs | LED-lit, Orange White |
| Box Dimensions | 103x61x42 cm |
| Gross Weight | 52 kg |
| Pieces per Pallet | 10 |
| Pallet Total Weight | 535 kg |
| Pallet Size | 120x110x225 cm |

WARRANTY

| | |
|--------------------|----------|
| Cooking Plate | 15 years |
| Chassis | 15 years |
| Burners | 15 years |
| Rest of Components | 15 years |



BRABURA

GRILLS

BRABURA L CLASS 40 FULL STAINLESS STEEL

No Ref. BGG0004



OPTIONAL

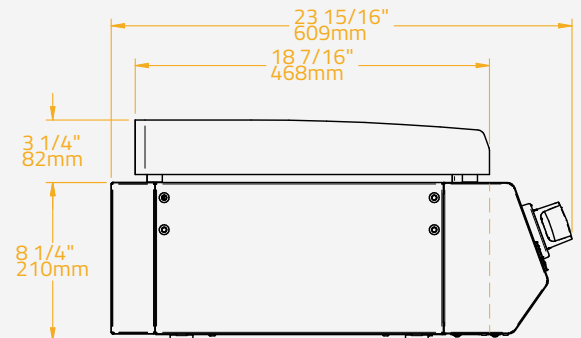
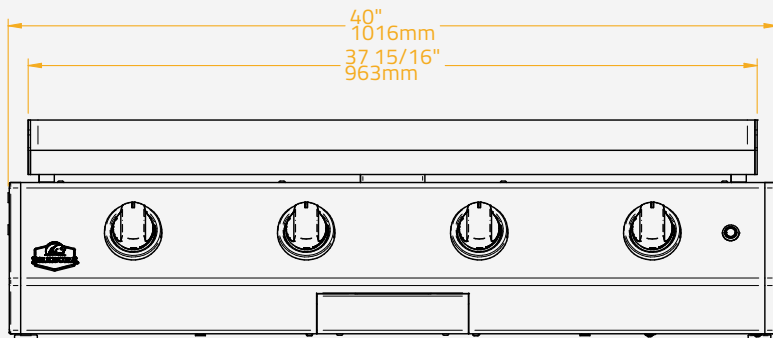
| | |
|--------------------------|----------|
| Lid 40 | BGLD0001 |
| Cover 40 | BGLD0004 |
| Cover 40 Black | BGLD0007 |
| Cart L Class 40 | BGC0001 |
| Cart Matte-Black 40 | BGC0001 |
| Liner 40 | BGL0004 |
| Built-In Soft Cover 40 | BGA0015 |
| Countertop Soft Cover 40 | BGA0021 |

SPECIFICATIONS

| | |
|---------------------------|--------------------------------------|
| Cooking Plate Material | 304 Stainless Steel |
| Plate Thickness | 10.0 mm |
| Cooking Surface Dimension | 4.416 cm ² 96x46 cm |
| Cut-out Dimensions | W102 x D50 x H21 cm |
| Capacity | Suitable for 25-30 people |
| Chassis | 304 Stainless Steel |
| Burner Material | Stainless Steel |
| Configurations | Built-in Countertop Freestanding |
| Gas Type | Butane and Propane Natural Gas |
| Number of Burners | 4 |
| Power | 12.8 kW (G30: 931g/h G31: 915g/h) |
| Ignition Type | Continuous Spark |
| Knobs | LED-lit, Orange White |
| Box Dimensions | 103x61x42 cm |
| Gross Weight | 62 kg |
| Pieces per Pallet | 10 |
| Pallet Total Weight | 635 kg |
| Pallet Size | 120x110x225 cm |

WARRANTY

| | |
|--------------------|----------|
| Cooking Plate | 15 years |
| Chassis | 15 years |
| Burners | 15 years |
| Rest of Components | 15 years |



BRABURA
GRILLS

BRABURA MATTE-BLACK 40 STAINLESS STEEL PLATE

No Ref. BGG0010



OPTIONAL

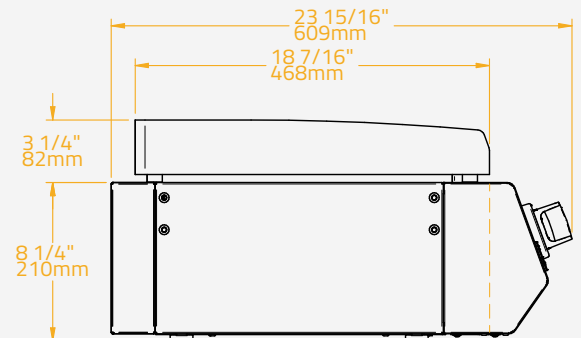
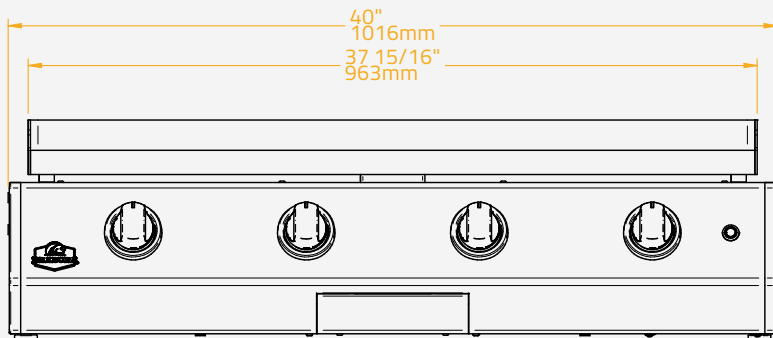
| | |
|--------------------------|----------|
| Lid 40 | BGLD0001 |
| Cover 40 | BGLD0004 |
| Cover 40 Black | BGLD0007 |
| Cart L Class 40 | BGC0001 |
| Cart Matte-Black 40 | BGC0001 |
| Liner 40 | BGL0004 |
| Built-In Soft Cover 40 | BGA0015 |
| Countertop Soft Cover 40 | BGA0021 |

SPECIFICATIONS

| | |
|---------------------------|--|
| Cooking Plate Material | 304 Stainless Steel |
| Plate Thickness | 10.0 mm |
| Cooking Surface Dimension | 4.416 cm ² 96x46 cm |
| Cut-out Dimensions | W102 x D50 x H21 cm |
| Capacity | Suitable for 25-30 people |
| Chassis | Ultra durable powder coated carbon steel |
| Burner Material | Stainless Steel |
| Configurations | Built-in Countertop Freestanding |
| Gas Type | Butane and Propane Natural Gas |
| Number of Burners | 4 |
| Power | 12.8 kW (G30: 931g/h G31: 915g/h) |
| Ignition Type | Continuous Spark |
| Knobs | LED-lit, Orange White |
| Box Dimensions | 103x61x42 cm |
| Gross Weight | 62 kg |
| Pieces per Pallet | 10 |
| Pallet Total Weight | 635 kg |
| Pallet Size | 120x110x225 cm |

WARRANTY

| | |
|--------------------|----------|
| Cooking Plate | 15 years |
| Chassis | 15 years |
| Burners | 15 years |
| Rest of Components | 15 years |



BRABURA

GRILLS