

CART L CLASS 20

No Ref. BGC0003



SPECIFICATIONS

Body Material	304 Stainless Steel
Number of double Wall Door	1
Rear Caster Wheel	2
Front Caster Wheel with Security Brakes	2
Ventilation Cutouts	✓
Magnetic Closures	✓
Box Dimensions	62x61x26 cm
Gross Weight	33.5 kg
Pieces per Pallet	16
Pallet Total Weight	551 kg
Pallet Size	120x80x223 cm

SPECIFIC TO

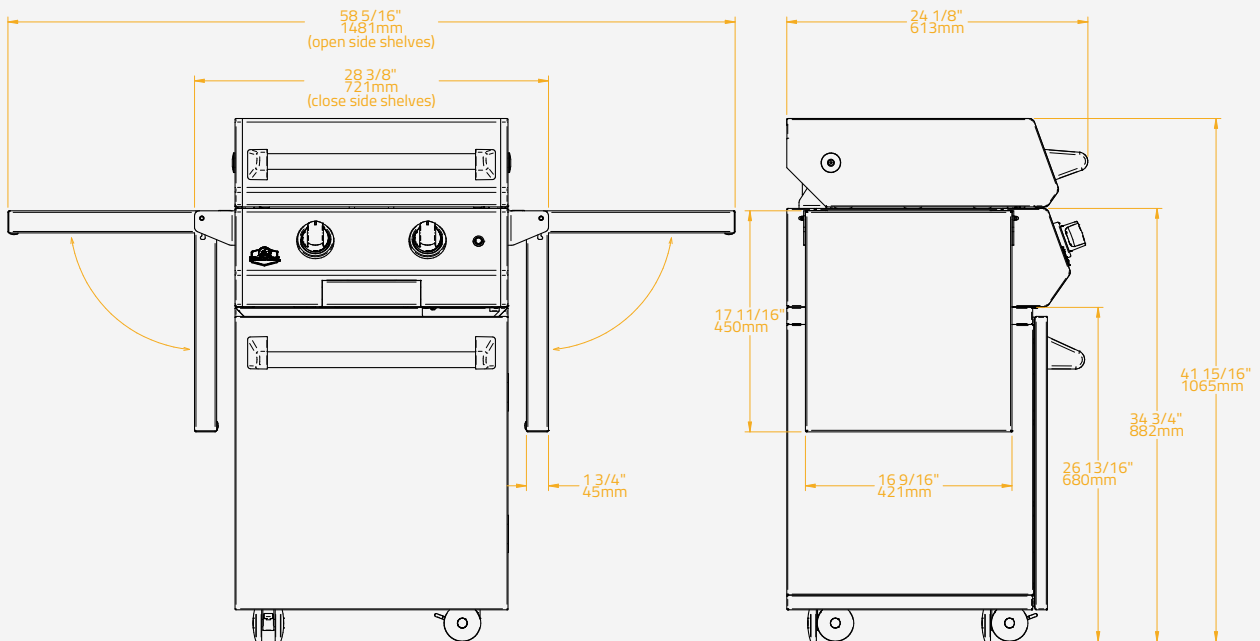
Brabura L Class 20	BGG0003
Brabura L Class 20 Full Stainless Steel	BGG0006
Brabura Matte-Black 20	BGG0009
Brabura Matte-Black 20 Stainless Steel Plate	BGG0012

OPTIONAL

Cart Soft Cover 20	BGA0020
--------------------	---------

WARRANTY

Body	5 years
Components	5 years



BRABURA

GRILLS

CART MATTE-BLACK 20

No Ref. BGC0006



SPECIFICATIONS

Body Material	Ultra durable powder coated carbon steel
Number of double Wall Door	1
Rear Caster Wheel	2
Front Caster Wheel with Security Brakes	2
Ventilation Cutouts	✓
Magnetic Closures	✓
Box Dimensions	62x61x26 cm
Gross Weight	33.5 kg
Pieces per Pallet	16
Pallet Total Weight	551 kg
Pallet Size	120x80x223 cm

SPECIFIC TO

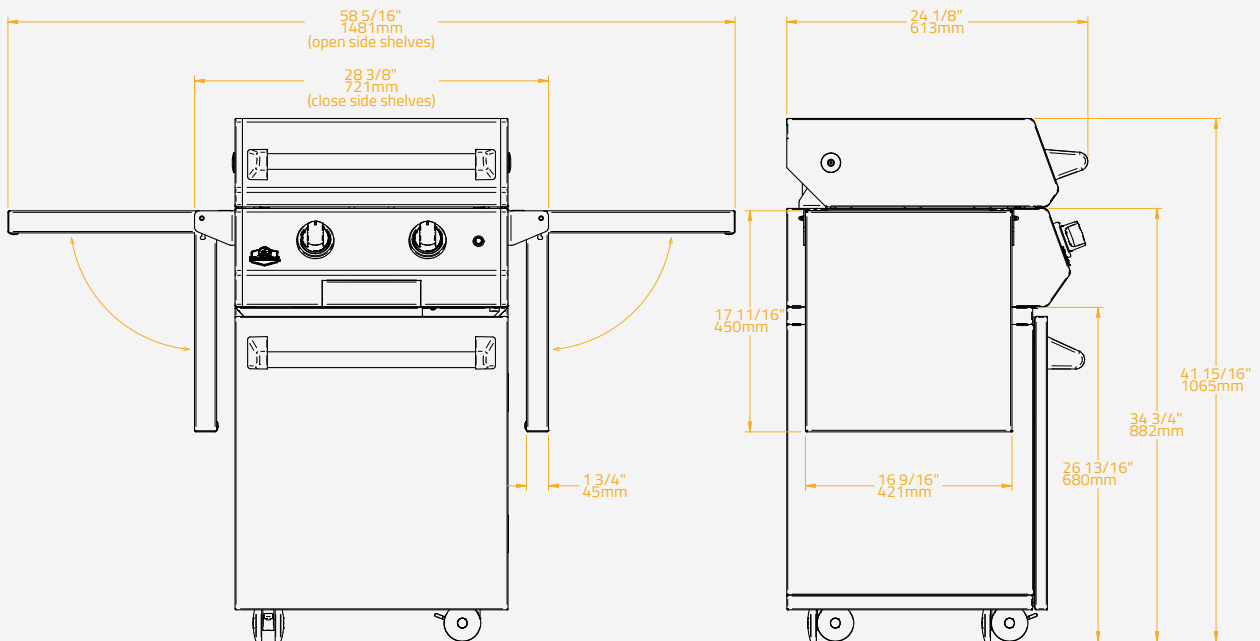
Brabura L Class 20	BGG0003
Brabura L Class 20 Full Stainless Steel	BGG0006
Brabura Matte-Black 20	BGG0009
Brabura Matte-Black 20 Stainless Steel Plate	BGG0012

OPTIONAL

Cart Soft Cover 20	BGA0020
--------------------	---------

WARRANTY

Body	5 years
Components	5 years



BRABURA

GRILLS

CART L CLASS 30

No Ref. BGC0002



SPECIFICATIONS

Body Material	304 Stainless Steel
Number of double Wall Door	2
Rear Caster Wheel	2
Front Caster Wheel with Security Brakes	2
Ventilation Cutouts	✓
Magnetic Closures	✓
Box Dimensions	103x61.5x23 cm
Gross Weight	40.5 kg
Pieces per Pallet	18
Pallet Total Weight	745 kg
Pallet Size	120x110x222 cm

SPECIFIC TO

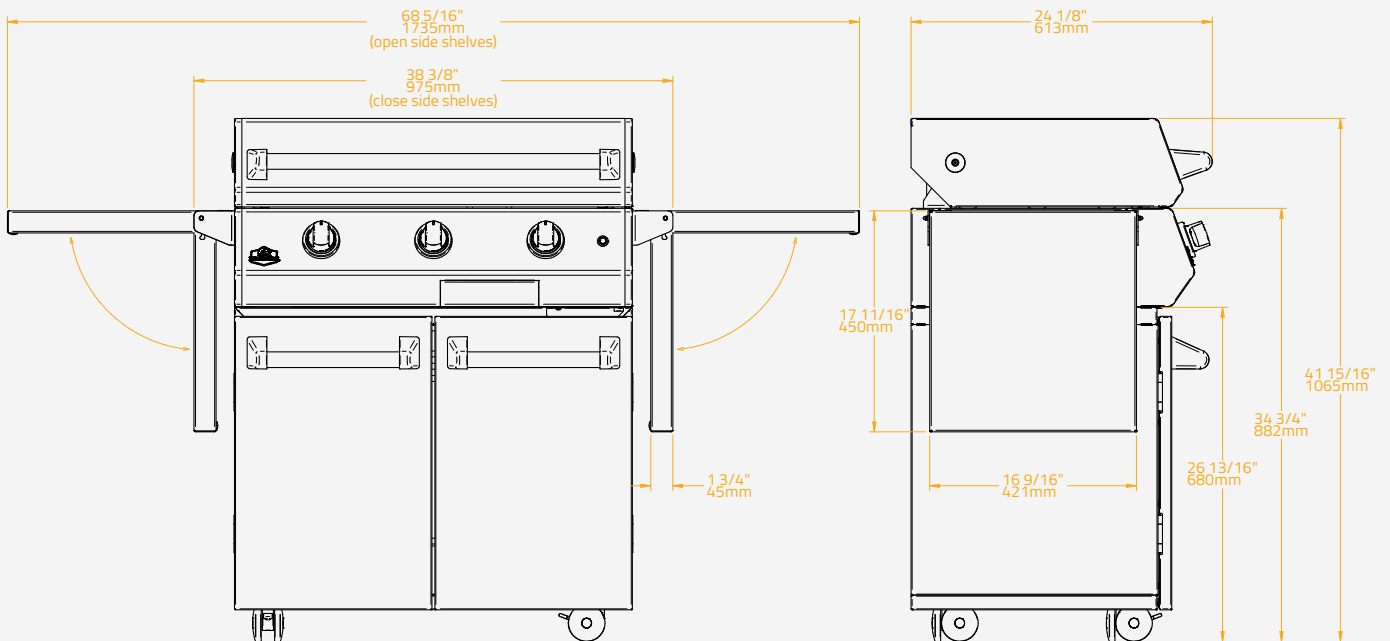
Brabura L Class 30	BGG0002
Brabura L Class 30 Full Stainless Steel	BGG0005
Brabura Matte-Black 30	BGG0008
Brabura Matte-Black 30 Stainless Steel Plate	BGG0011

OPTIONAL

Cart Soft Cover 30	BGA0019
--------------------	---------

WARRANTY

Body	5 years
Components	5 years



BRABURA

GRILLS

CART MATTE-BLACK 30

No Ref. BGC0005



SPECIFICATIONS

Body Material	Ultra durable powder coated carbon steel
Number of double Wall Door	2
Rear Caster Wheel	2
Front Caster Wheel with Security Brakes	2
Ventilation Cutouts	✓
Magnetic Closures	✓
Box Dimensions	103x61.5x23 cm
Gross Weight	40.5 kg
Pieces per Pallet	18
Pallet Total Weight	745 kg
Pallet Size	120x110x222 cm

SPECIFIC TO

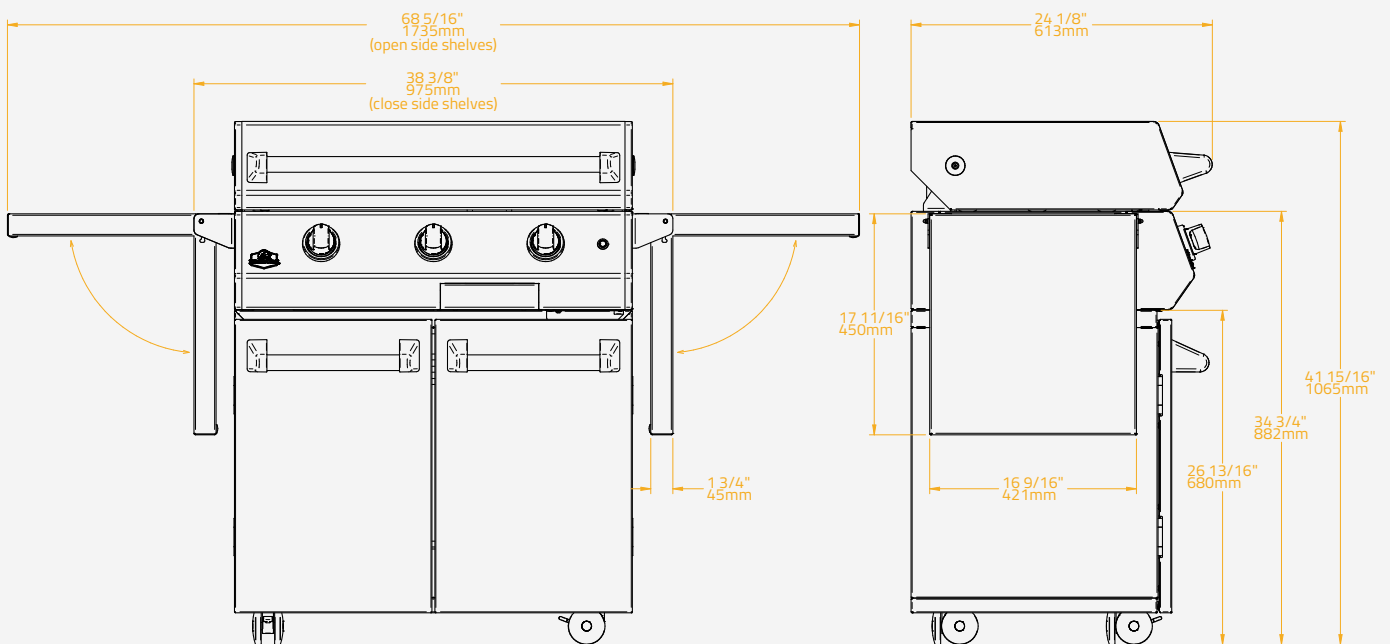
Brabura L Class 30	BGG0002
Brabura L Class 30 Full Stainless Steel	BGG0005
Brabura Matte-Black 30	BGG0008
Brabura Matte-Black 30 Stainless Steel Plate	BGG0011

OPTIONAL

Cart Soft Cover 30	BGA0019
--------------------	---------

WARRANTY

Body	5 years
Components	5 years



BRABURA

GRILLS

CART L CLASS 40

No Ref. BGC0001



SPECIFIC TO

Brabura L Class 40	BGG0001
Brabura L Class 40 Full Stainless Steel	BGG0004
Brabura Matte-Black 40	BGG0007
Brabura Matte-Black 40 Stainless Steel Plate	BGG0010

OPTIONAL

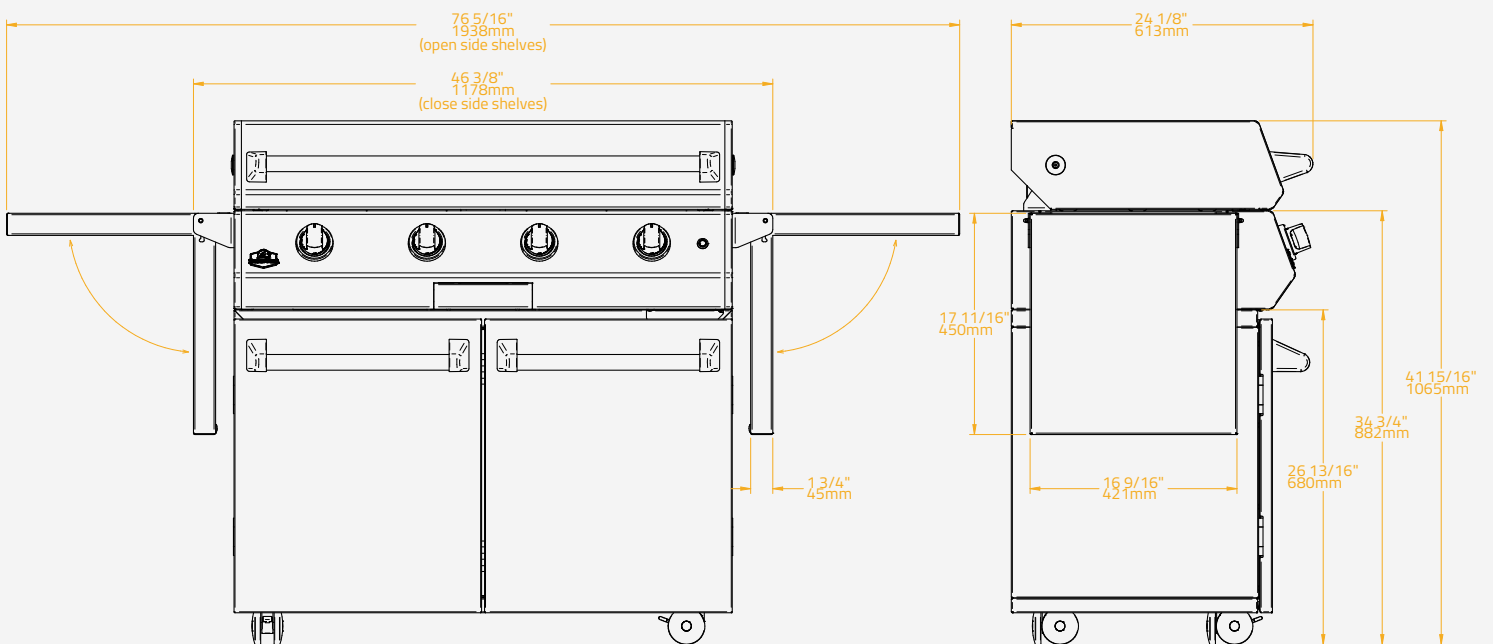
Cart Soft Cover 40	BGA0018
--------------------	---------

SPECIFICATIONS

Body Material	304 Stainless Steel
Number of double Wall Door	2
Rear Caster Wheel	2
Front Caster Wheel with Security Brakes	2
Ventilation Cutouts	✓
Magnetic Closures	✓
Box Dimensions	103x61.5x23 cm
Gross Weight	45.5 kg
Pieces per Pallet	18
Pallet Total Weight	834 kg
Pallet Size	120x110x222 cm

WARRANTY

Body	5 years
Components	5 years



BRABURA

GRILLS

CART MATTE-BLACK 40

No Ref. BGC0004



SPECIFIC TO

Brabura L Class 40	BGG0001
Brabura L Class 40 Full Stainless Steel	BGG0004
Brabura Matte-Black 40	BGG0007
Brabura Matte-Black 40 Stainless Steel Plate	BGG0010

OPTIONAL

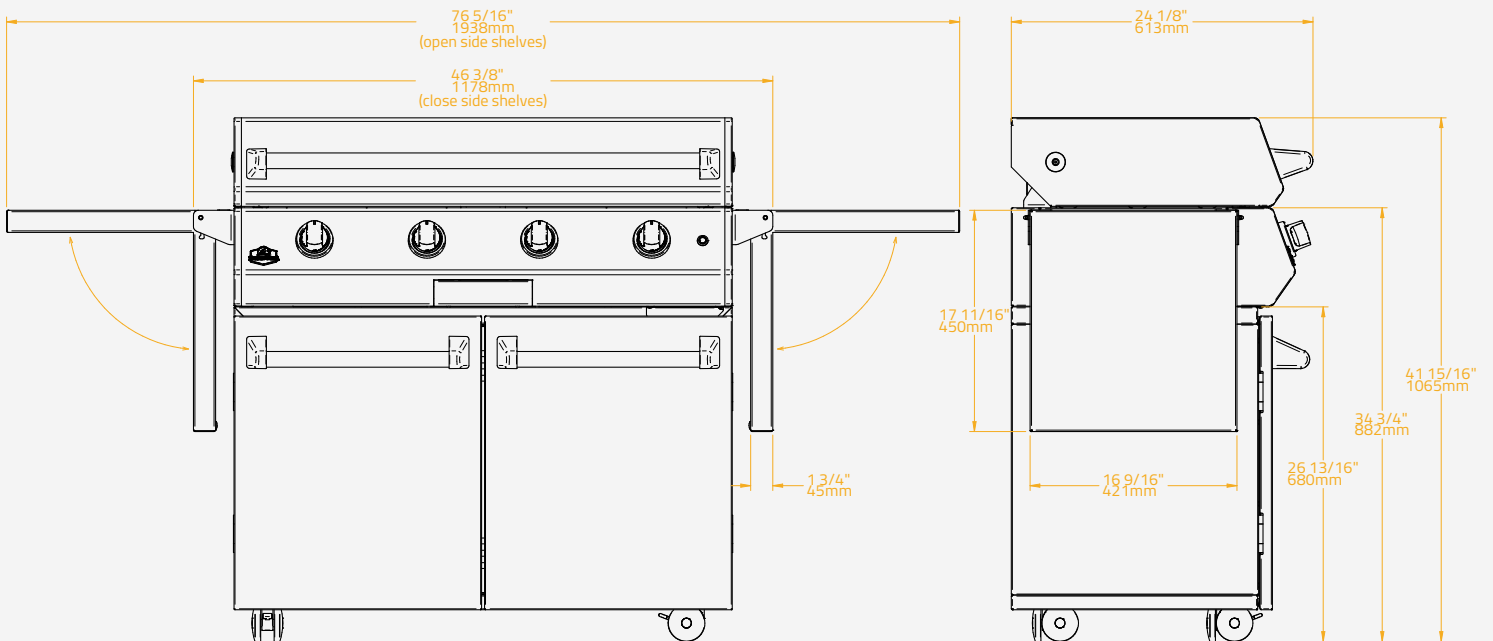
Cart Soft Cover 40	BGA0018
--------------------	---------

SPECIFICATIONS

Body Material	Ultra durable powder coated carbon steel
Number of double Wall Door	2
Rear Caster Wheel	2
Front Caster Wheel with Security Brakes	2
Ventilation Cutouts	✓
Magnetic Closures	✓
Box Dimensions	103x61.5x23 cm
Gross Weight	45.5 kg
Pieces per Pallet	18
Pallet Total Weight	834 kg
Pallet Size	120x110x222 cm

WARRANTY

Body	5 years
Components	5 years



BRABURA
GRILLS