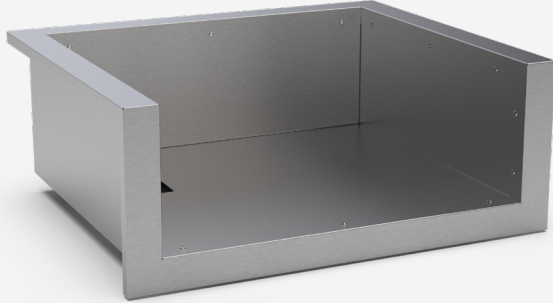


LINER 20

No Ref. BGL0003



SPECIFIC TO

Brabura L Class 20	BGG0003
Brabura L Class 20 Full Stainless Steel	BGG0006
Brabura Matte-Black 20	BGG0009
Brabura Matte-Black 20 Stainless Steel Plate	BGG0012

OPTIONAL

Built-In Soft Cover 20	BGA0017
------------------------	---------

SPECIFICATIONS

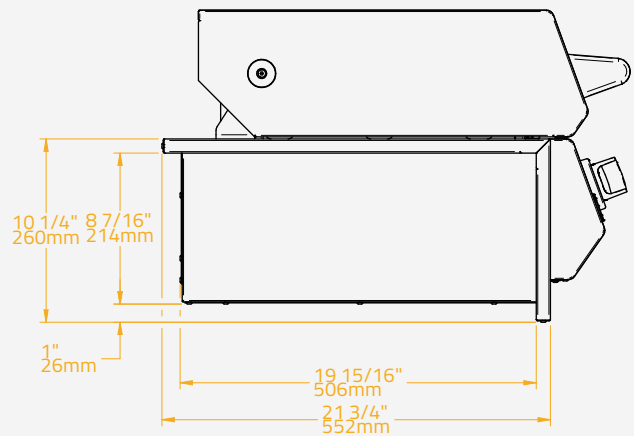
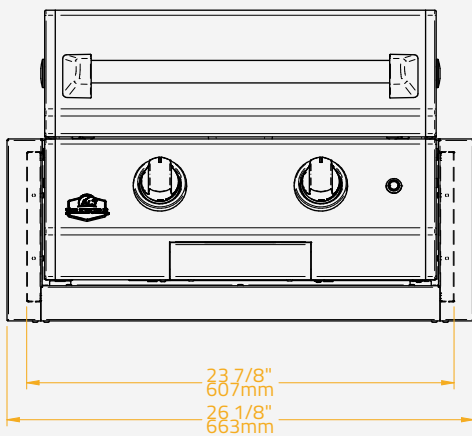
Body Material	304 Stainless Steel
Double Wall Insulated Material	304 Stainless Steel
Box Dimensions	68x57x28 cm
Gross Weight	15 kg
Pieces per Pallet	20
Pallet Total Weight	315 kg
Pallet Size	120x100x211 cm

INSULATED LINER CUTOUT

Width	609 mm
Depth	506 mm
Height	217 mm

WARRANTY

Body	5 years
Components	5 years



BRABURA

GRILLS

LINER 30

No Ref. BGL0002



SPECIFIC TO

Brabura L Class 30	BGG0002
Brabura L Class 30 Full Stainless Steel	BGG0005
Brabura Matte-Black 30	BGG0008
Brabura Matte-Black 30 Stainless Steel Plate	BGG0011

OPTIONAL

Built-In Soft Cover 30	BGA0016
------------------------	---------

SPECIFICATIONS

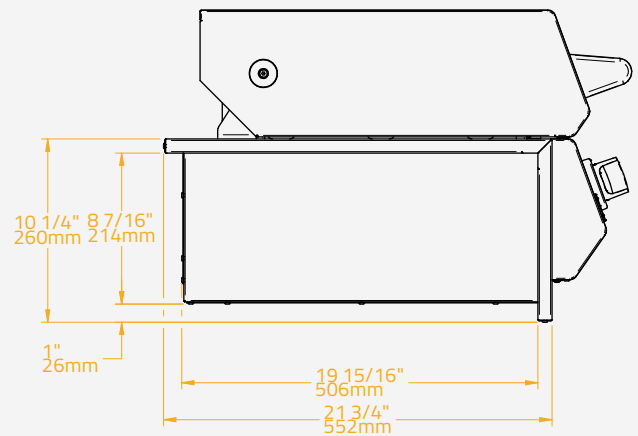
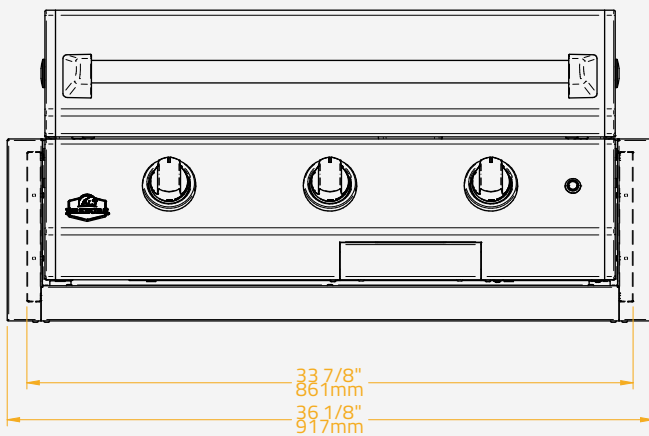
Body Material	304 Stainless Steel
Double Wall Insulated Material	304 Stainless Steel
Box Dimensions	93x57x28 cm
Gross Weight	19.5 kg
Pieces per Pallet	14
Pallet Total Weight	286 kg
Pallet Size	120x100x211 cm

INSULATED LINER CUTOUT

Width	863 mm
Depth	506 mm
Height	217 mm

WARRANTY

Body	5 years
Components	5 years



BRABURA
GRILLS

LINER 40

No Ref. BGL0001



SPECIFIC TO

Brabura L Class 40	BGG0001
Brabura L Class 40 Full Stainless Steel	BGG0004
Brabura Matte-Black 40	BGG0007
Brabura Matte-Black 40 Stainless Steel Plate	BGG0010

OPTIONAL

Built-In Soft Cover 40	BGA0015
------------------------	---------

SPECIFICATIONS

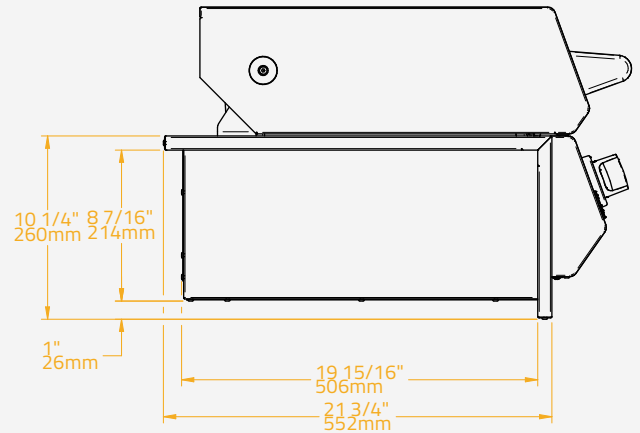
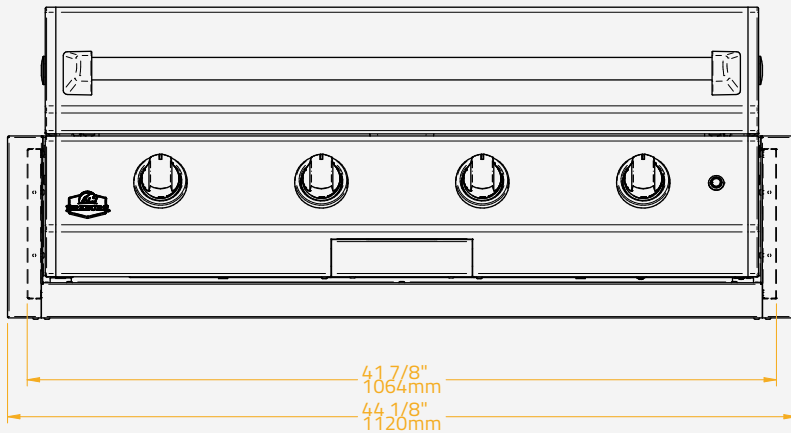
Body Material	304 Stainless Steel
Double Wall Insulated Material	304 Stainless Steel
Box Dimensions	115x57x28 cm
Gross Weight	21.5 kg
Pieces per Pallet	14
Pallet Total Weight	316 kg
Pallet Size	114x114x211 cm

INSULATED LINER CUTOUT

Width	1066 mm
Depth	506 mm
Height	217 mm

WARRANTY

Body	5 years
Components	5 years



BRABURA

GRILLS