

Broil King®



Broil King

CROWN 310

8640-52

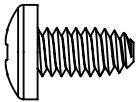
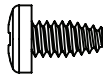
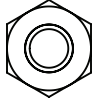
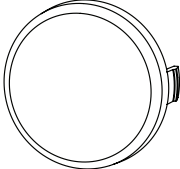
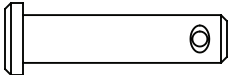


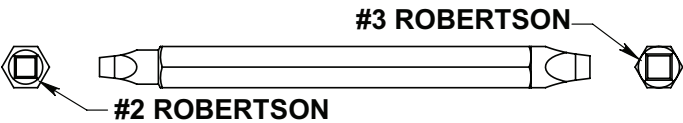
8640-53

8640-56

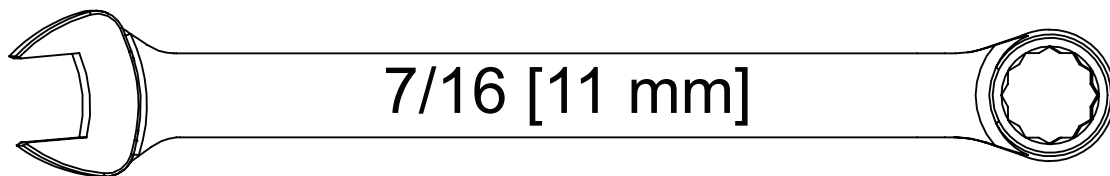
Onward
MANUFACTURING COMPANY LIMITED
SINCE 1906
585 KUMPF DRIVE
WATERLOO, ONTARIO, CANADA
N2V 1K3

50084-R61EU REV A 10/21

HARDWARE INCLUDED / MATERIAL INCLUS / EQUIPOS INCLUIDO

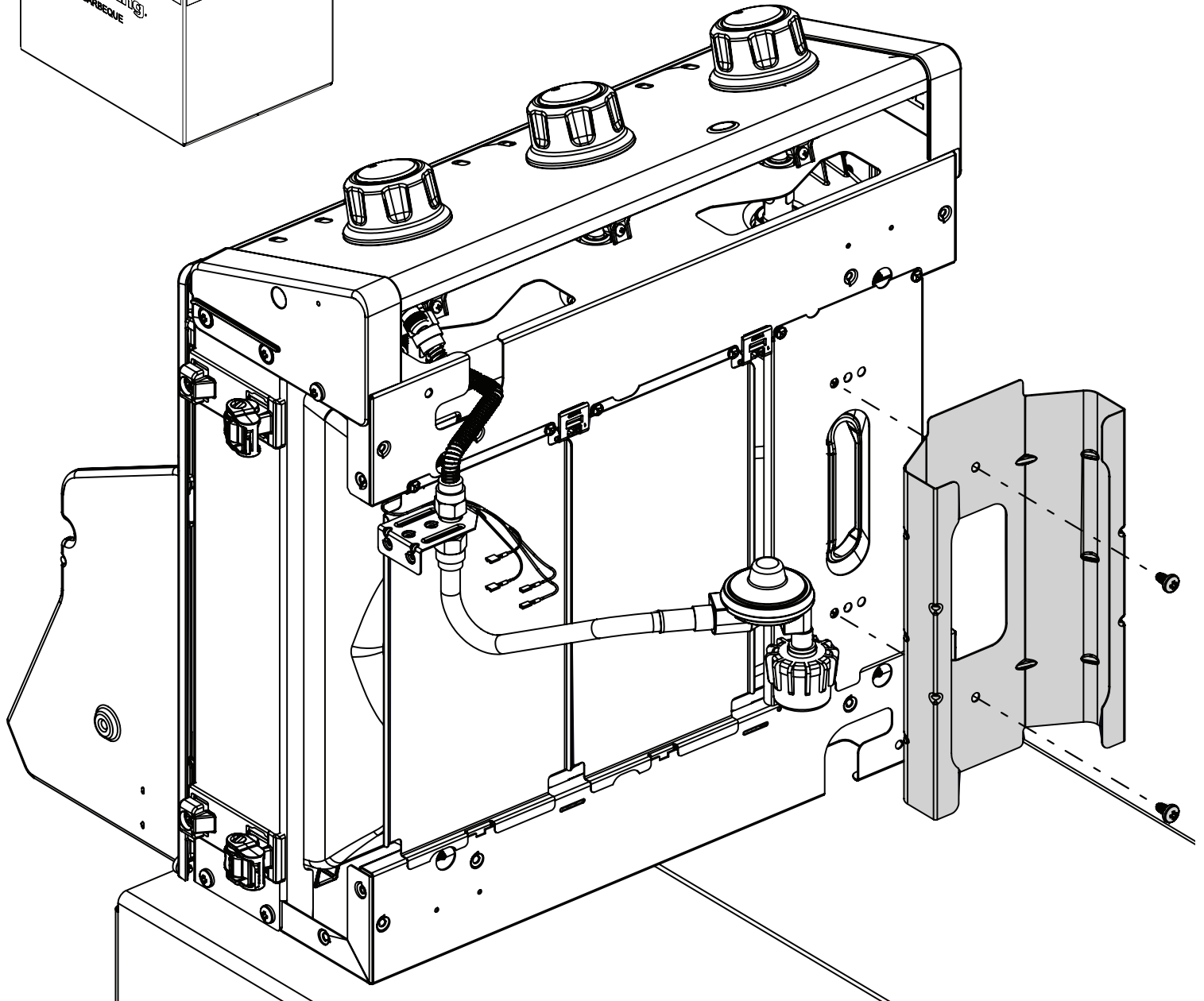
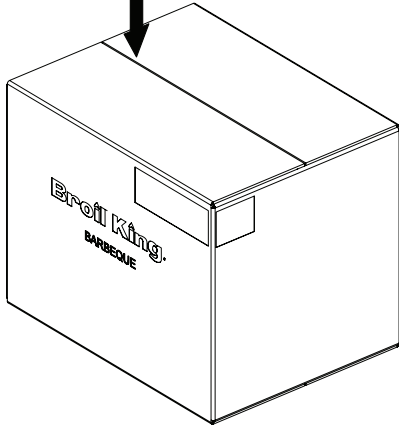
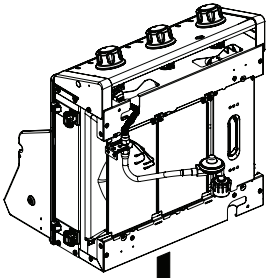
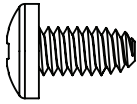
Y-12865		(22)	Y-29304		(6)
Y-11793		(4)	32001-151		(4)
S21235		(2)	S21233		(2)
20005-000				(1)	
 <p>#3 ROBERTSON</p> <p>#2 ROBERTSON</p>					

TOOLS REQUIRED / OUTILS NECESSAIRES / HERRAMIENTAS NECESARIAS

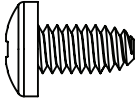


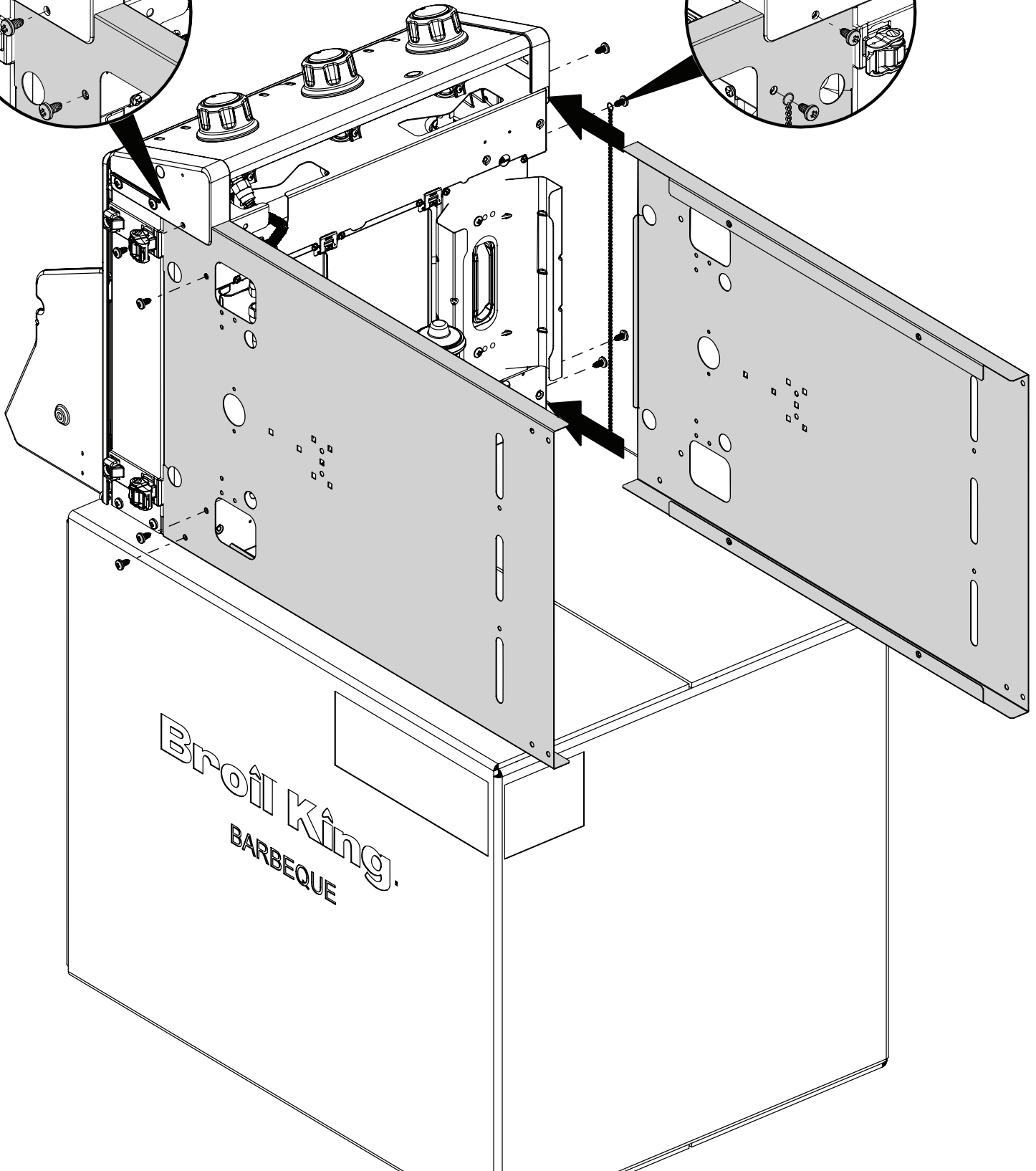
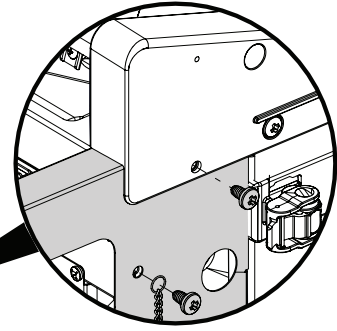
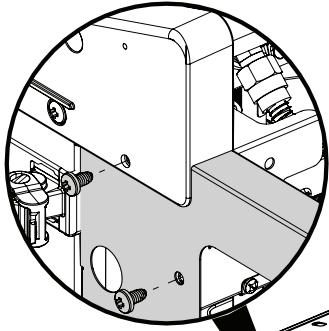
1

(2)



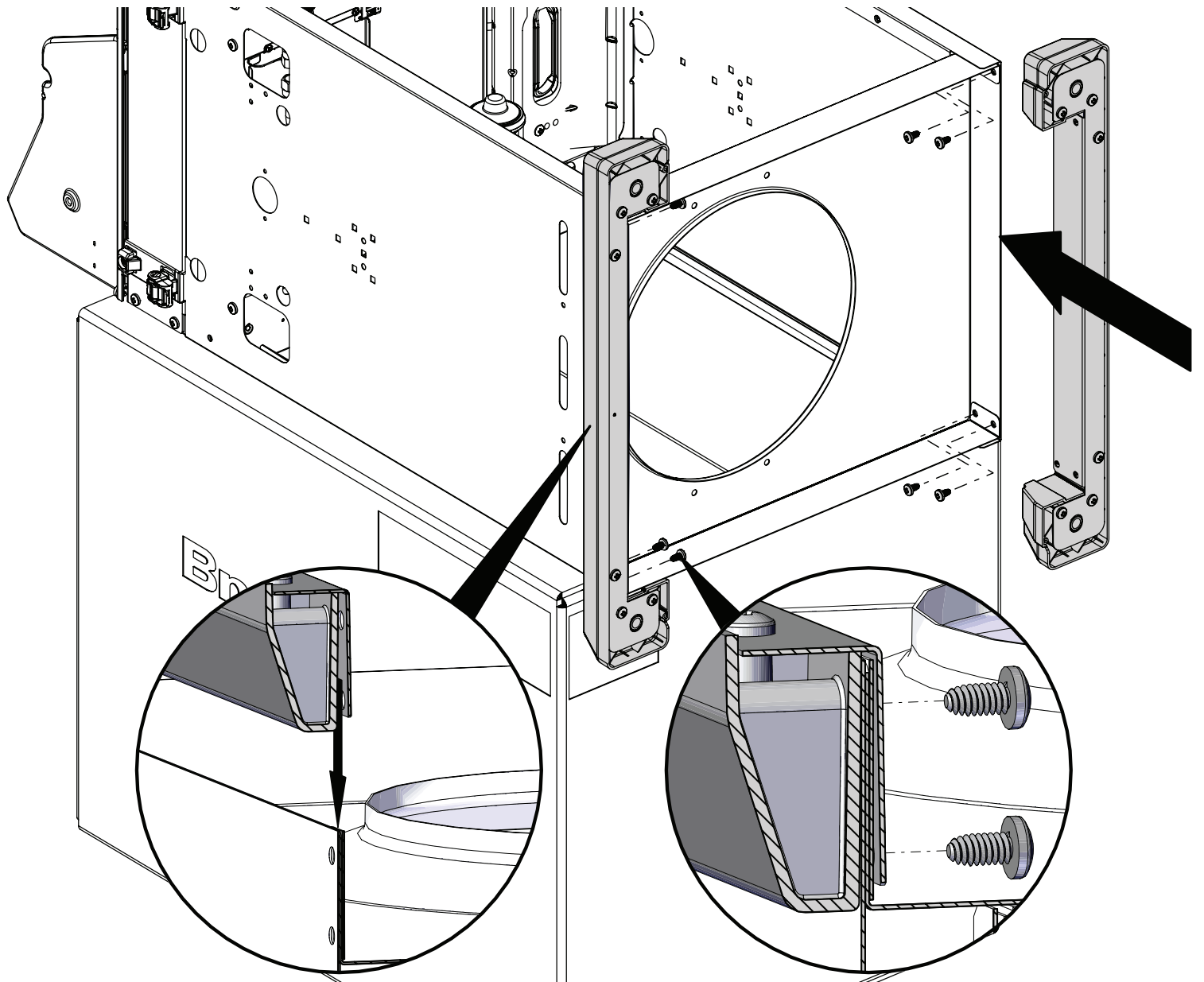
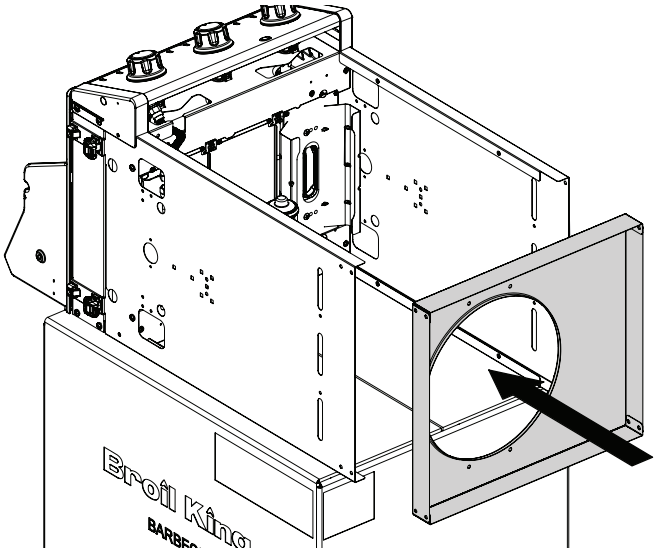
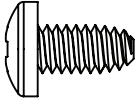
2

(8)  (1)

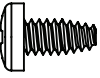


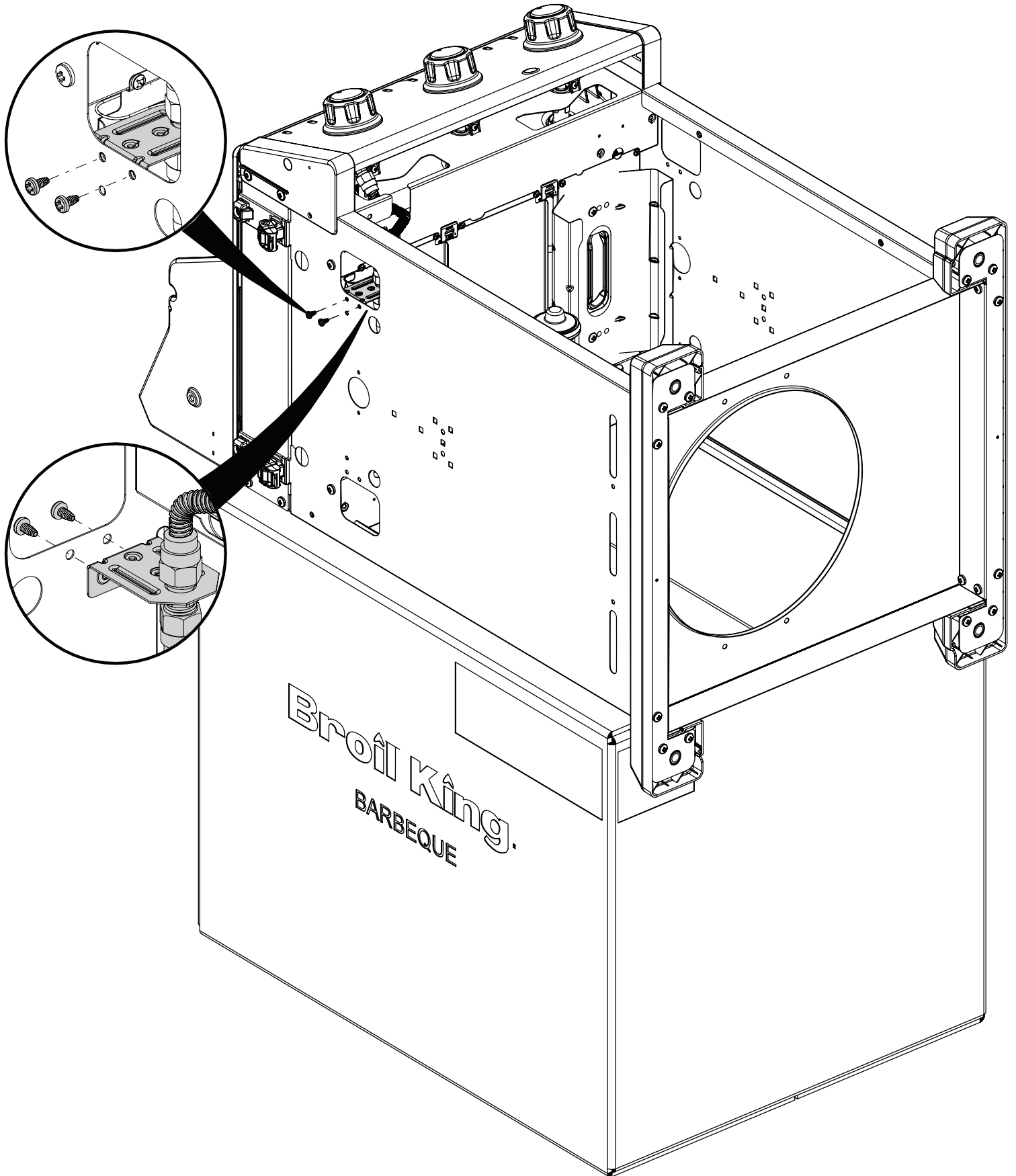
3

(8)

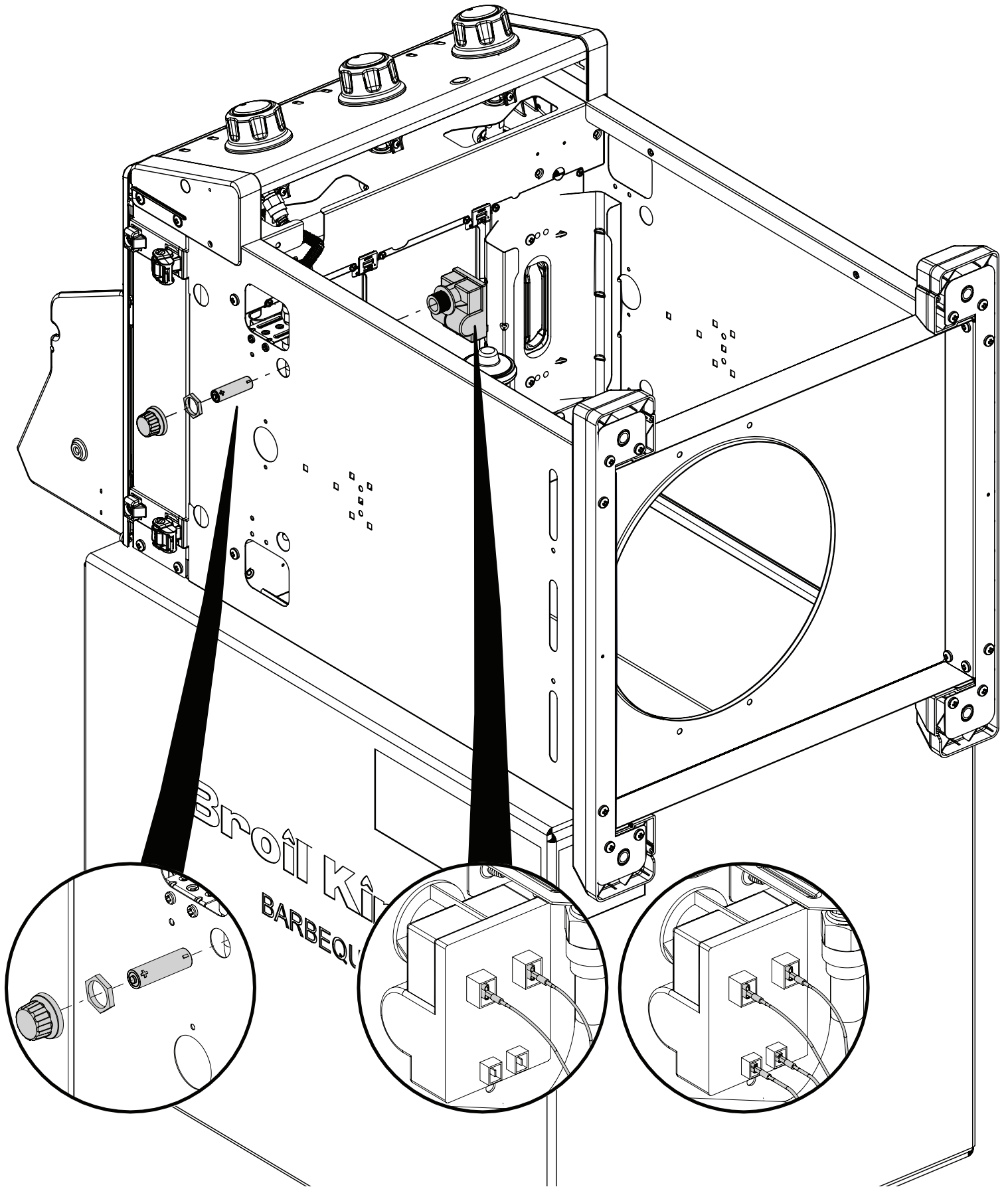


4

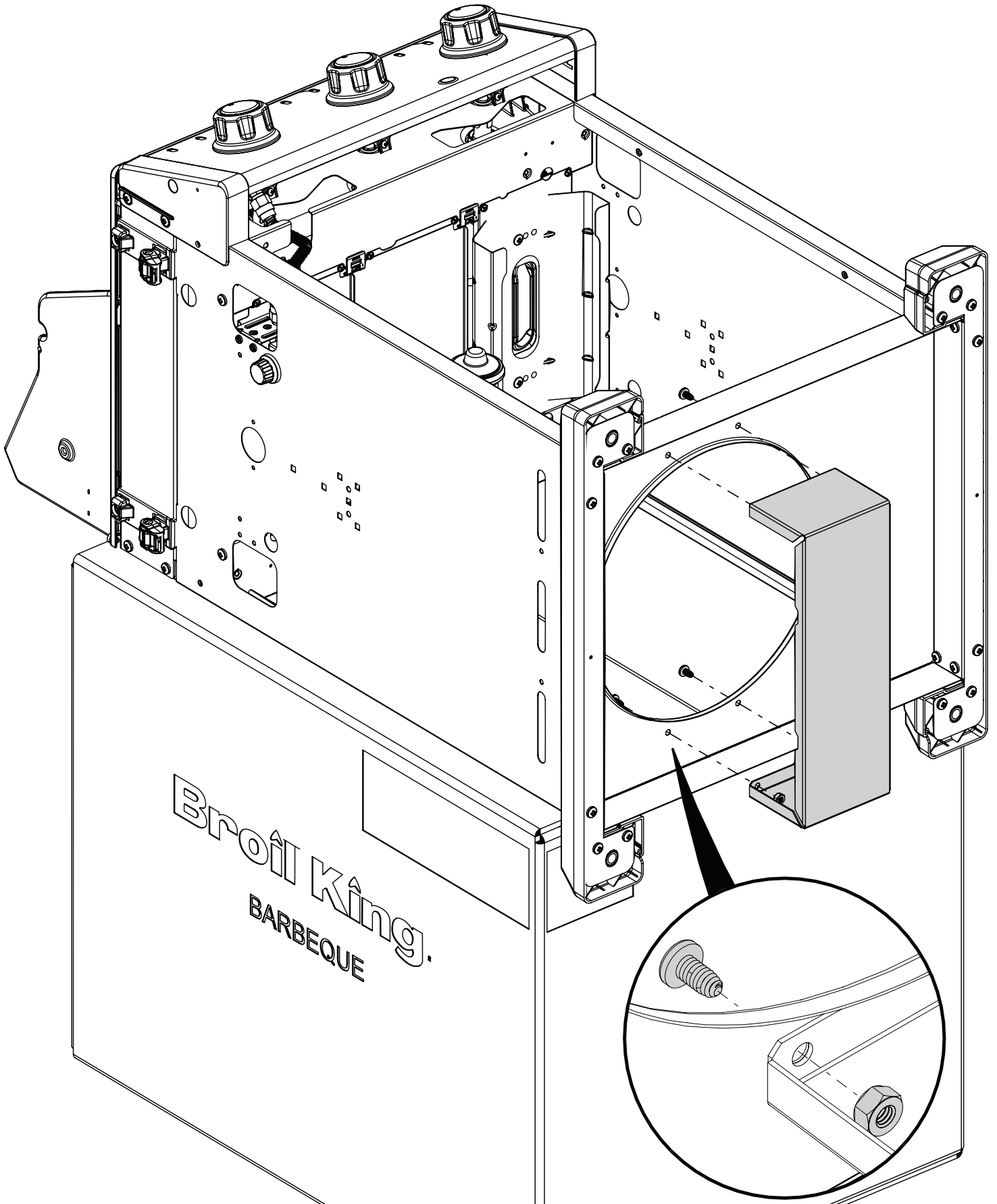
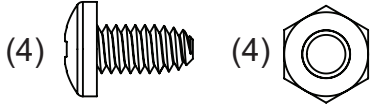
(2) 



5

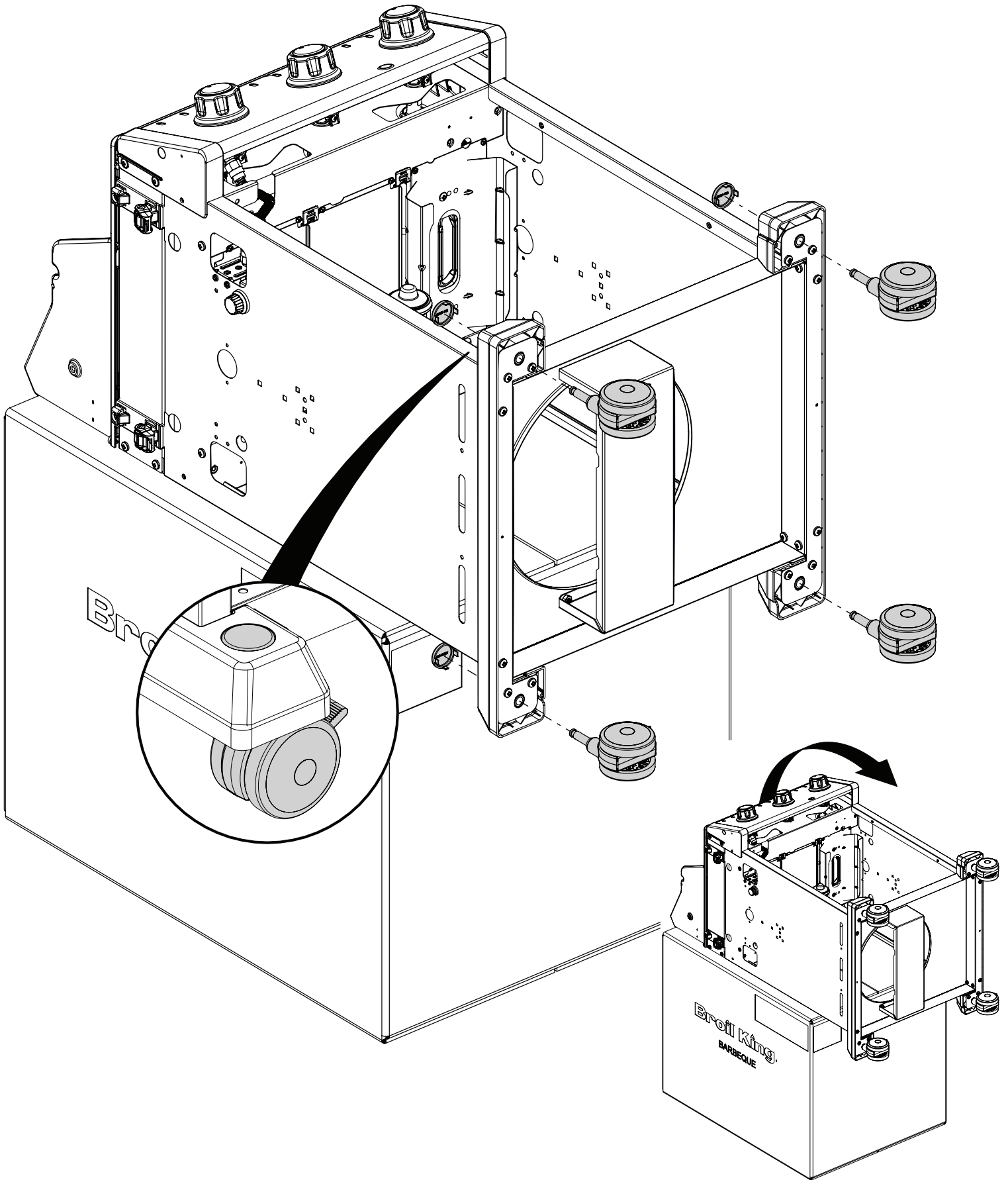
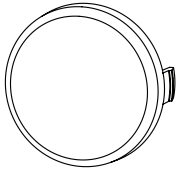


6

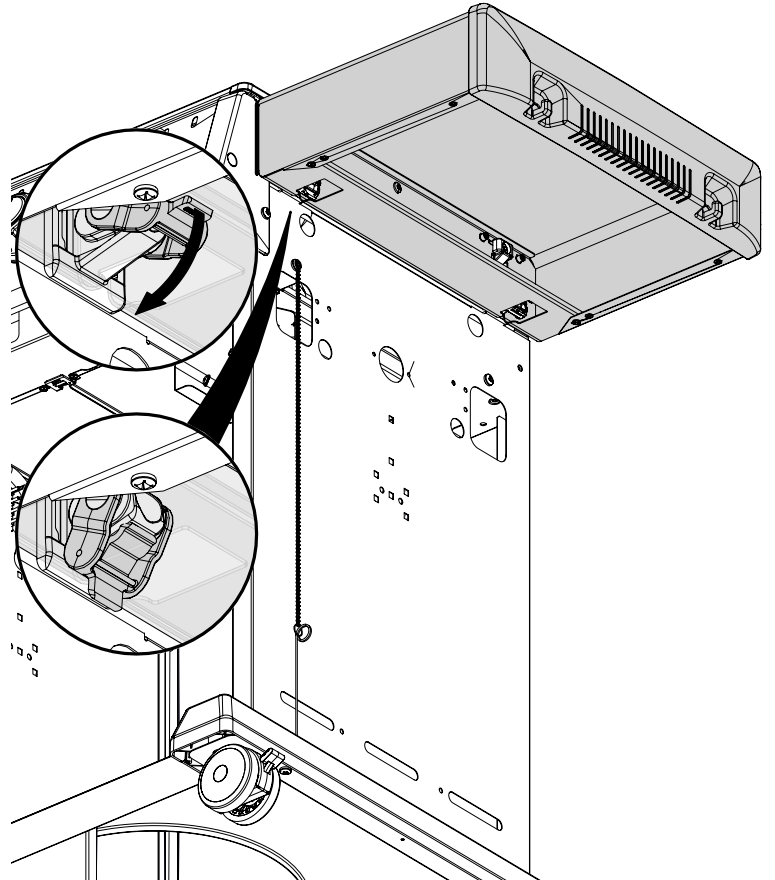
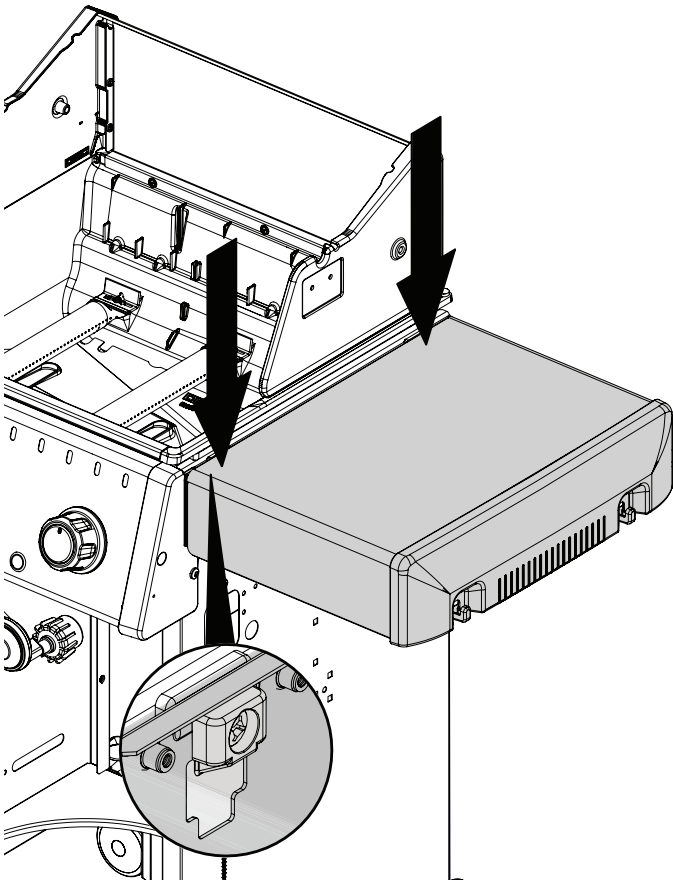
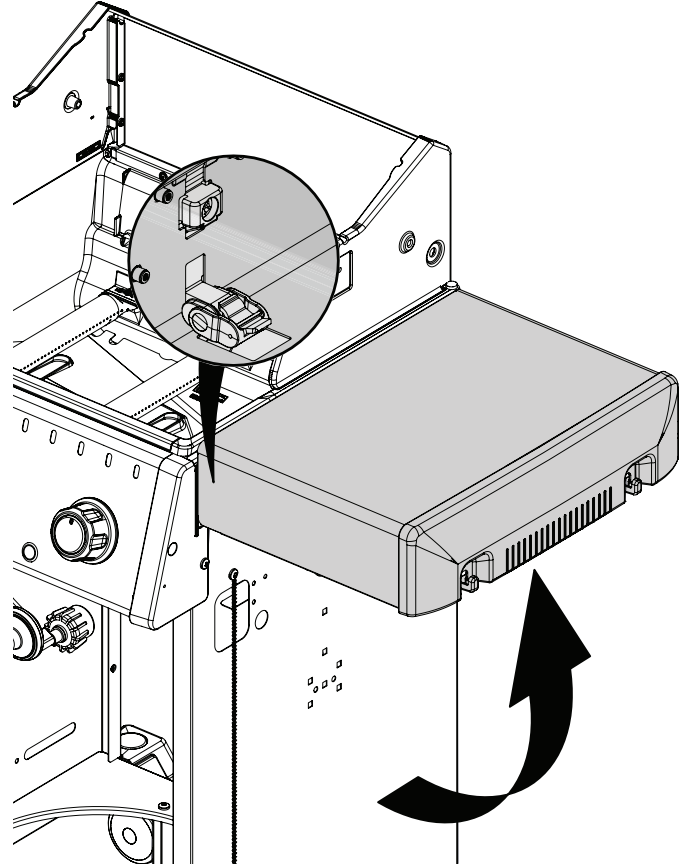
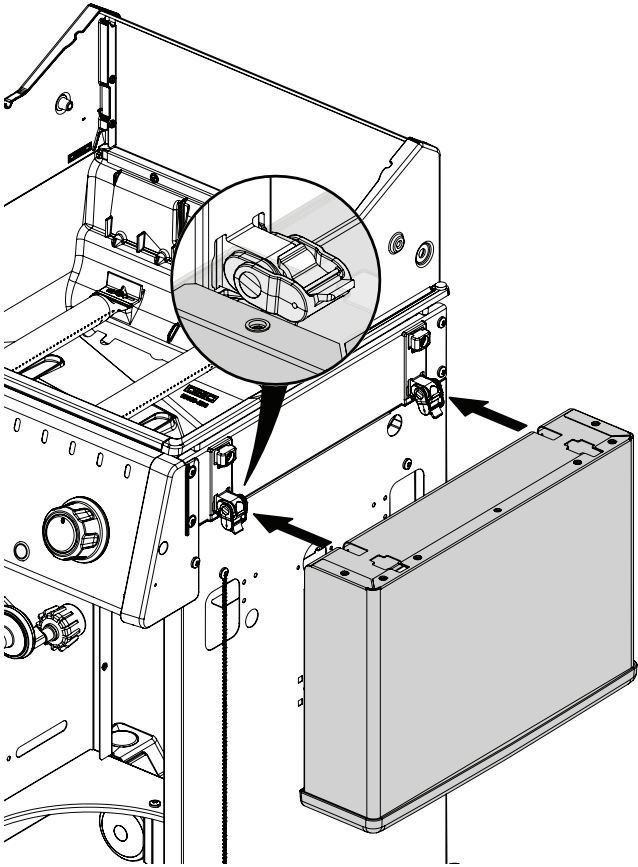


7

(4)

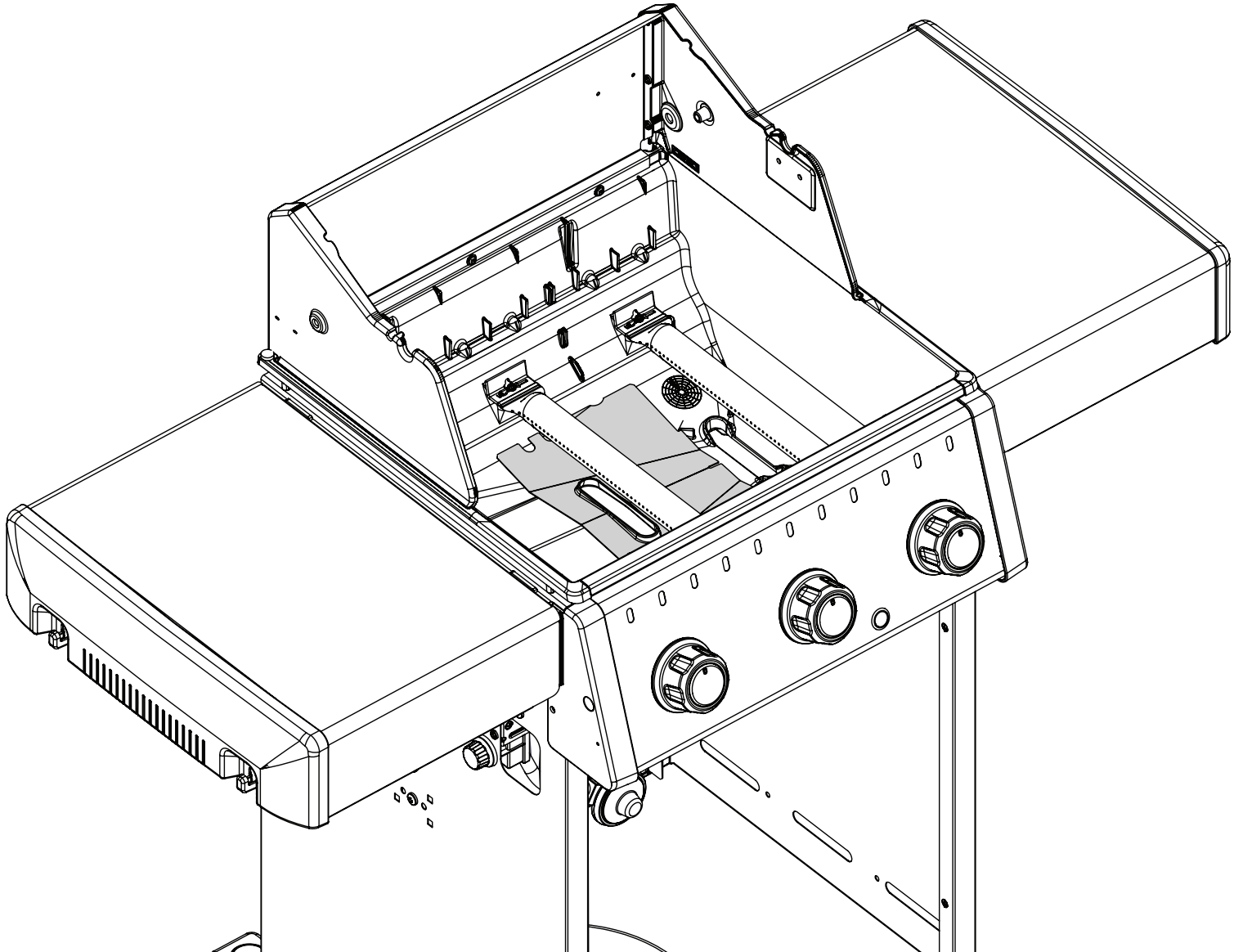
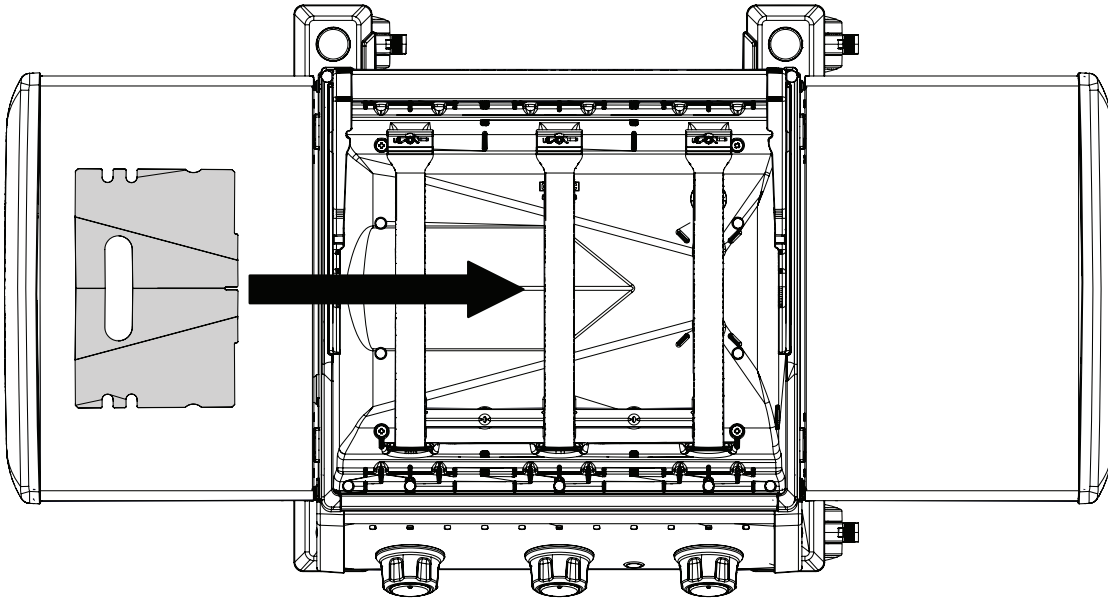
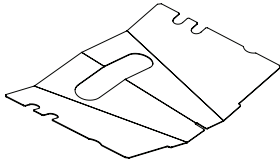


8



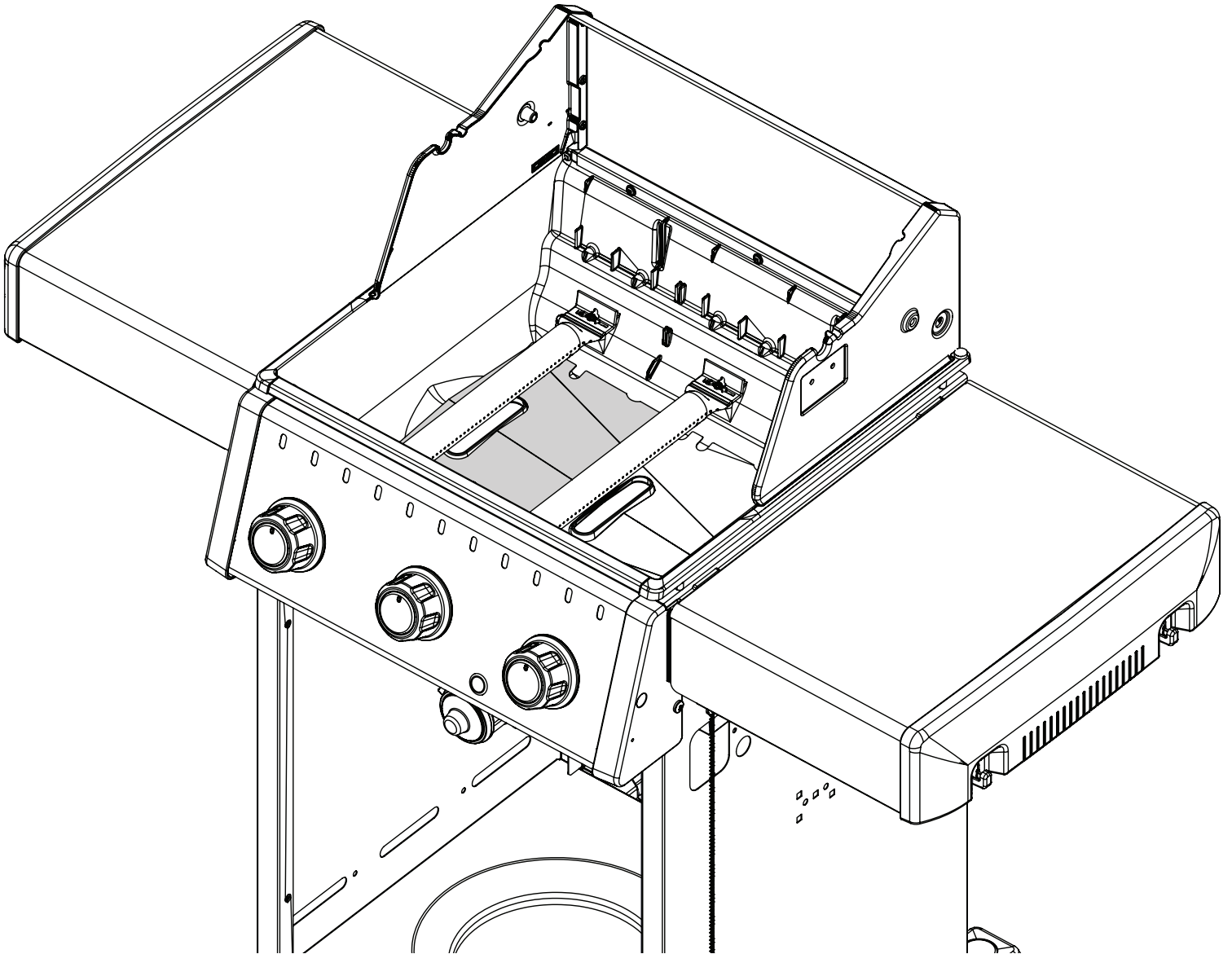
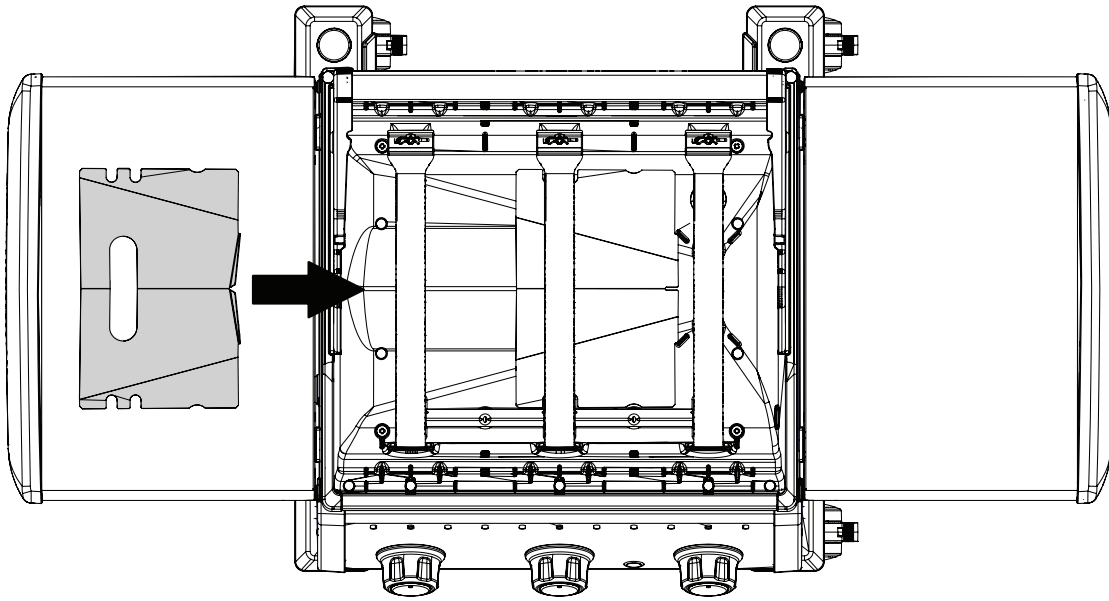
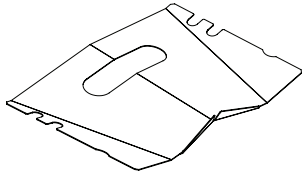
9

(1)



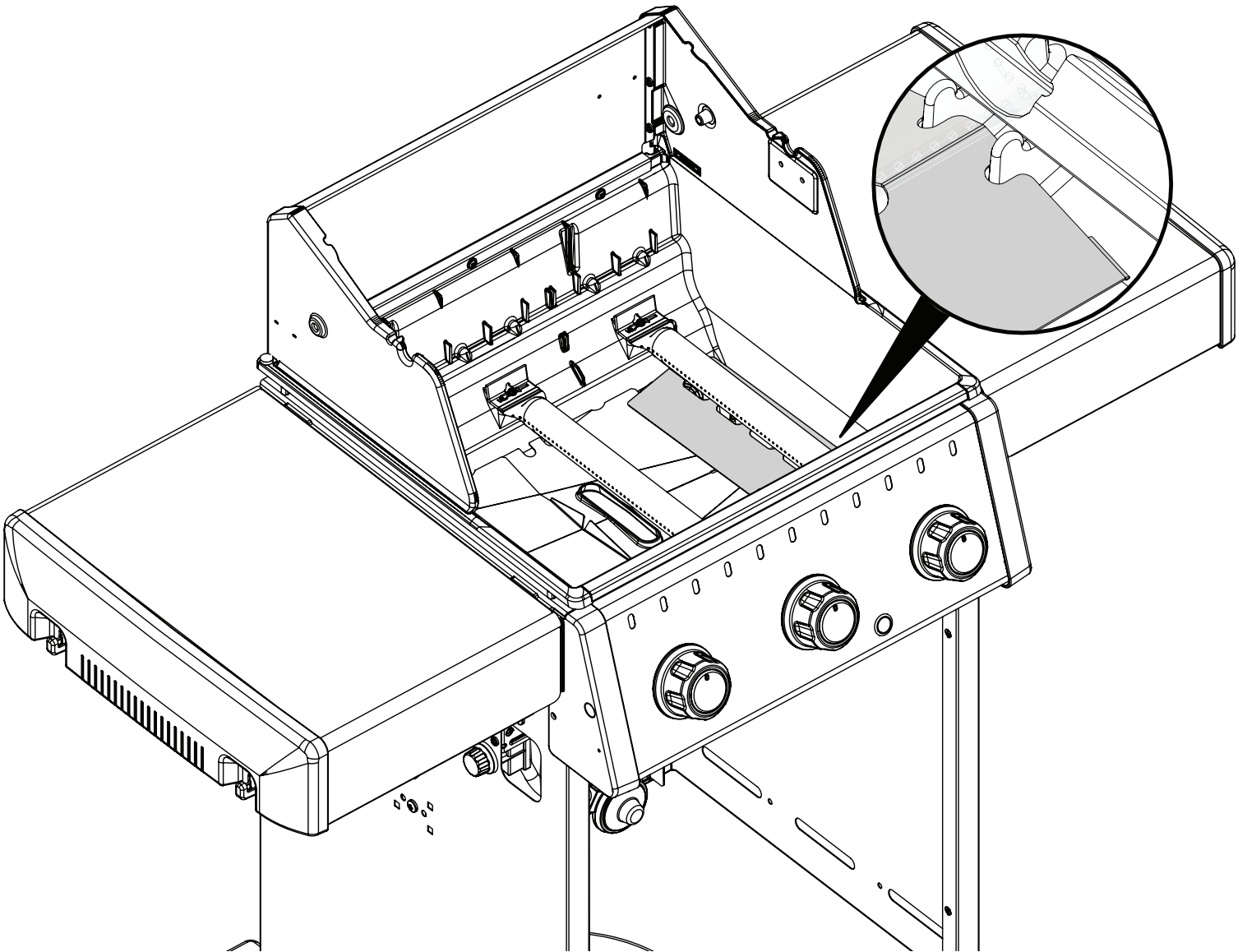
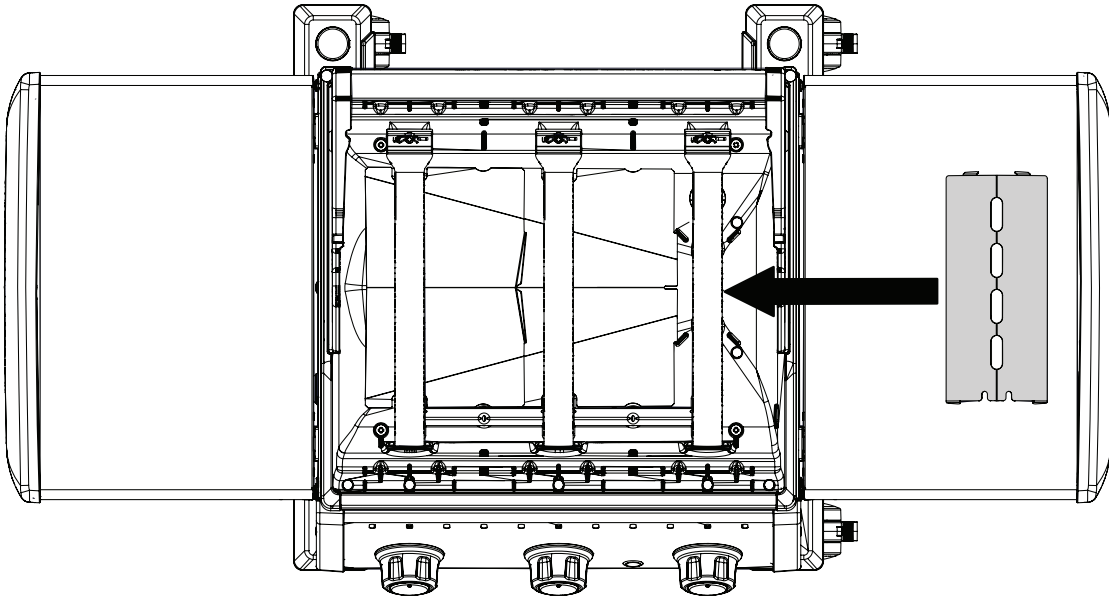
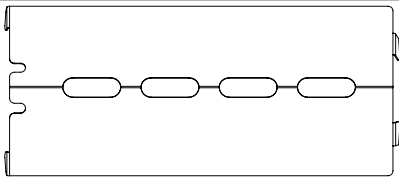
10

(1)

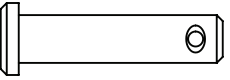
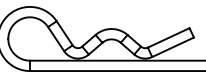


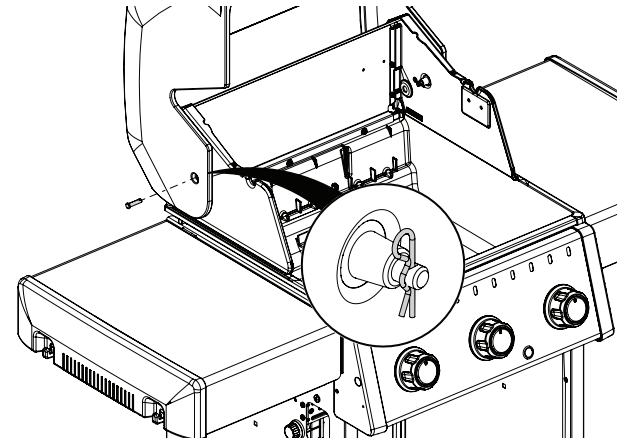
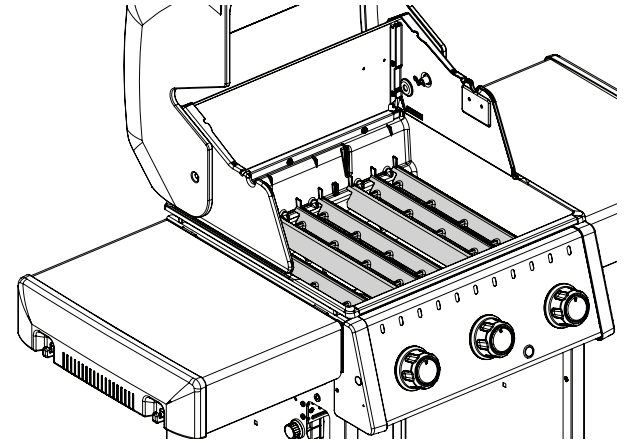
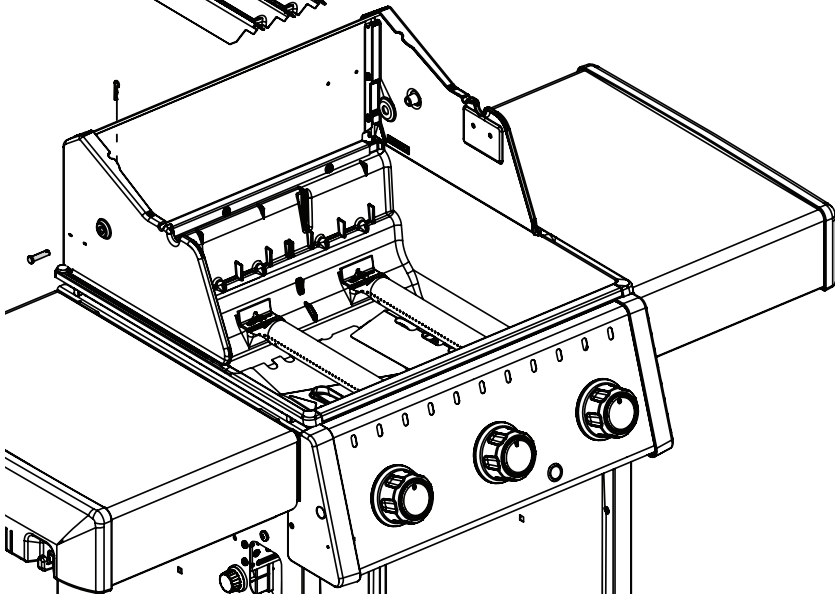
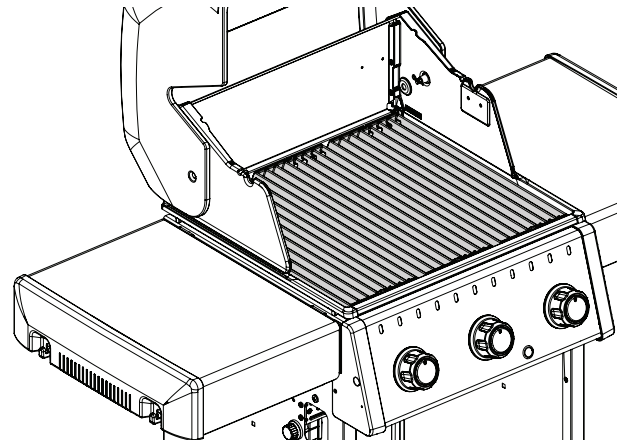
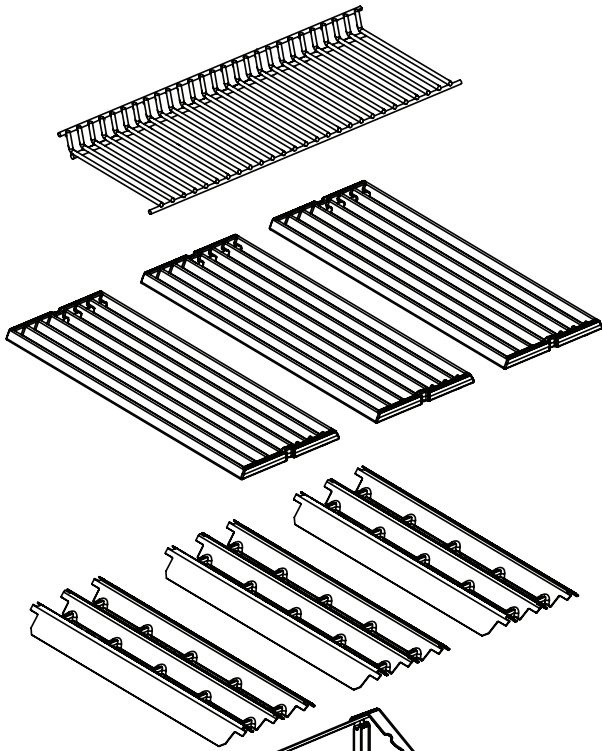
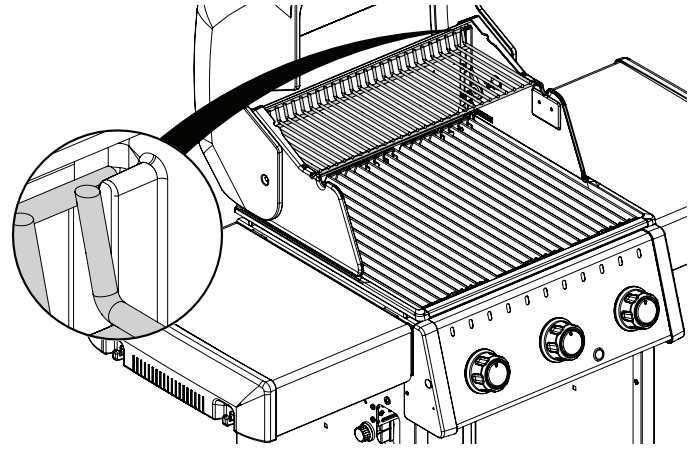
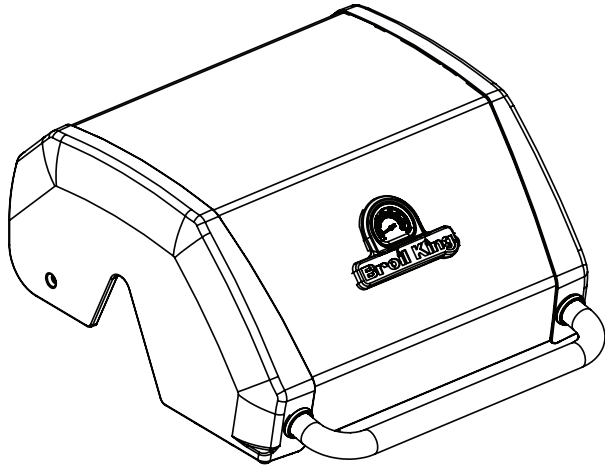
11

(1)



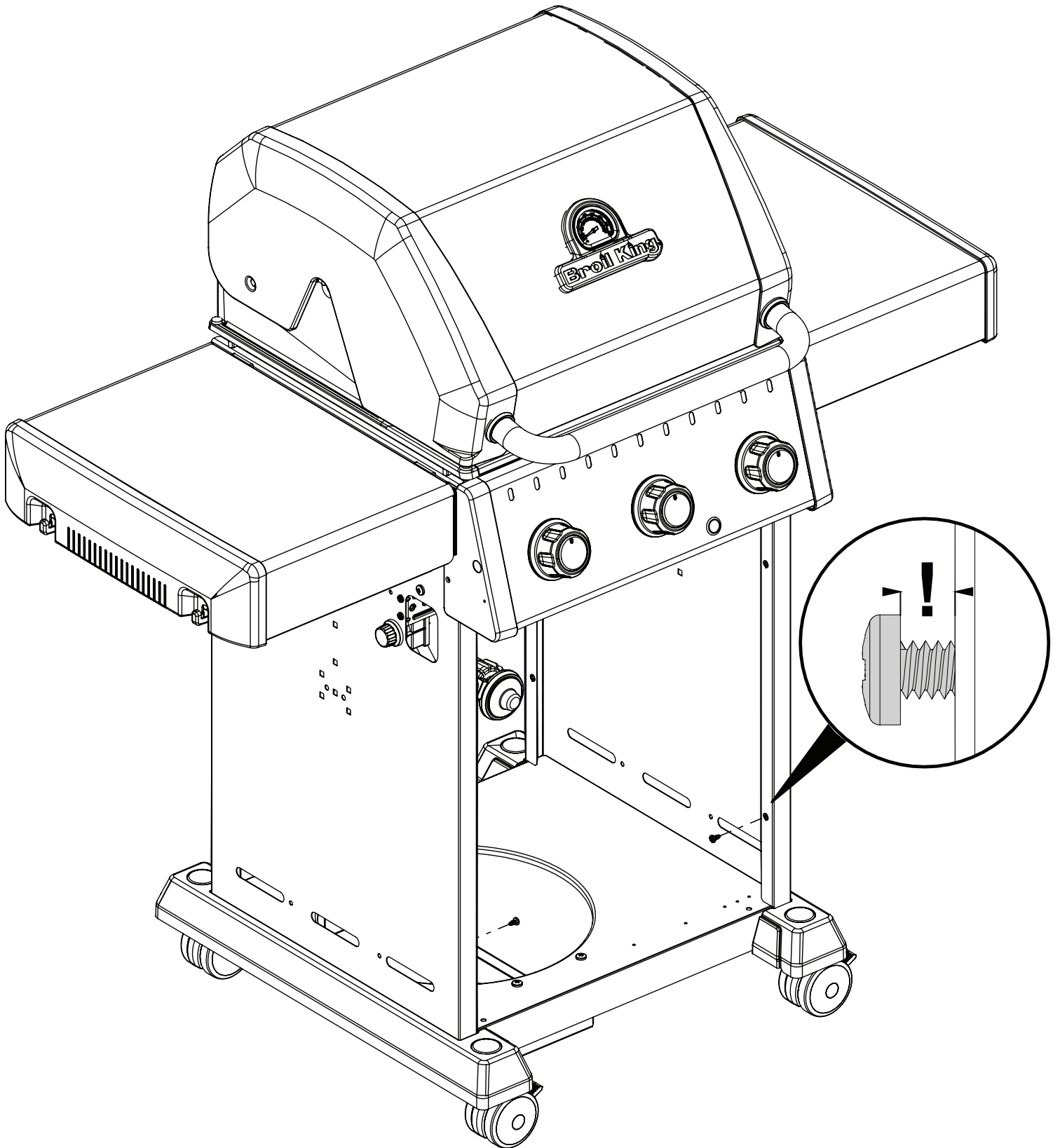
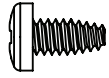
12

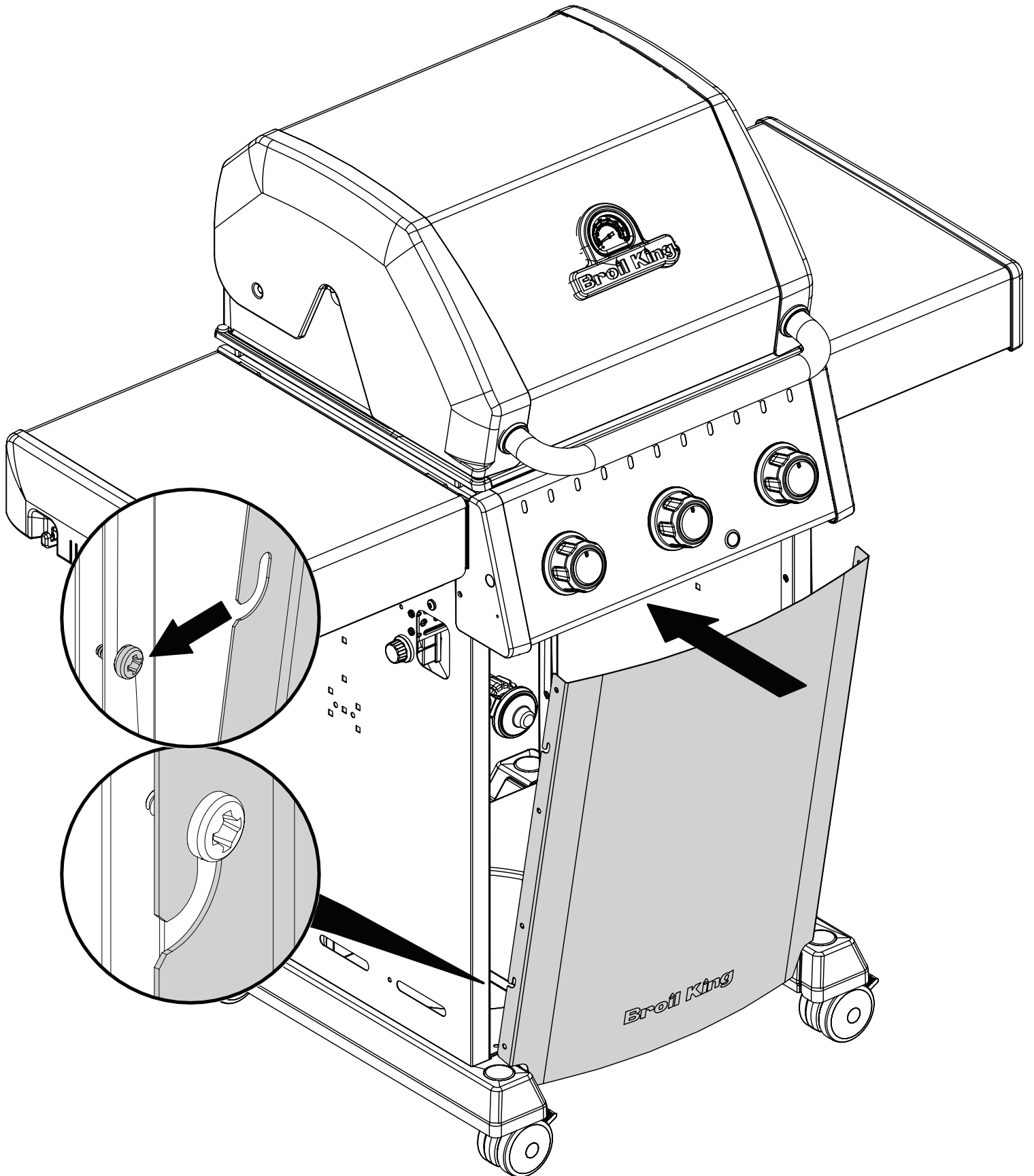
(2)  (2) 



13

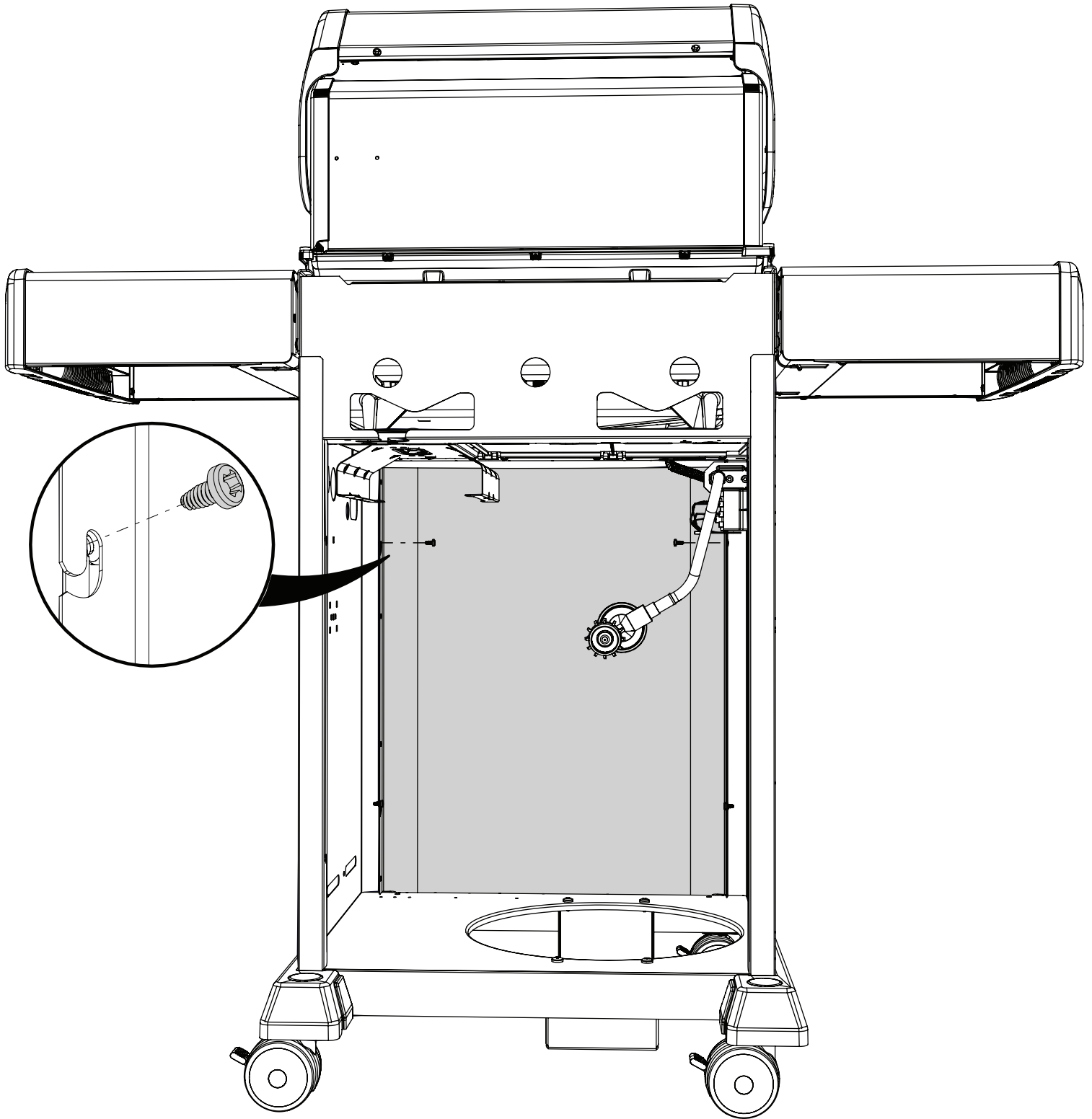
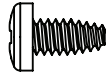
(2)



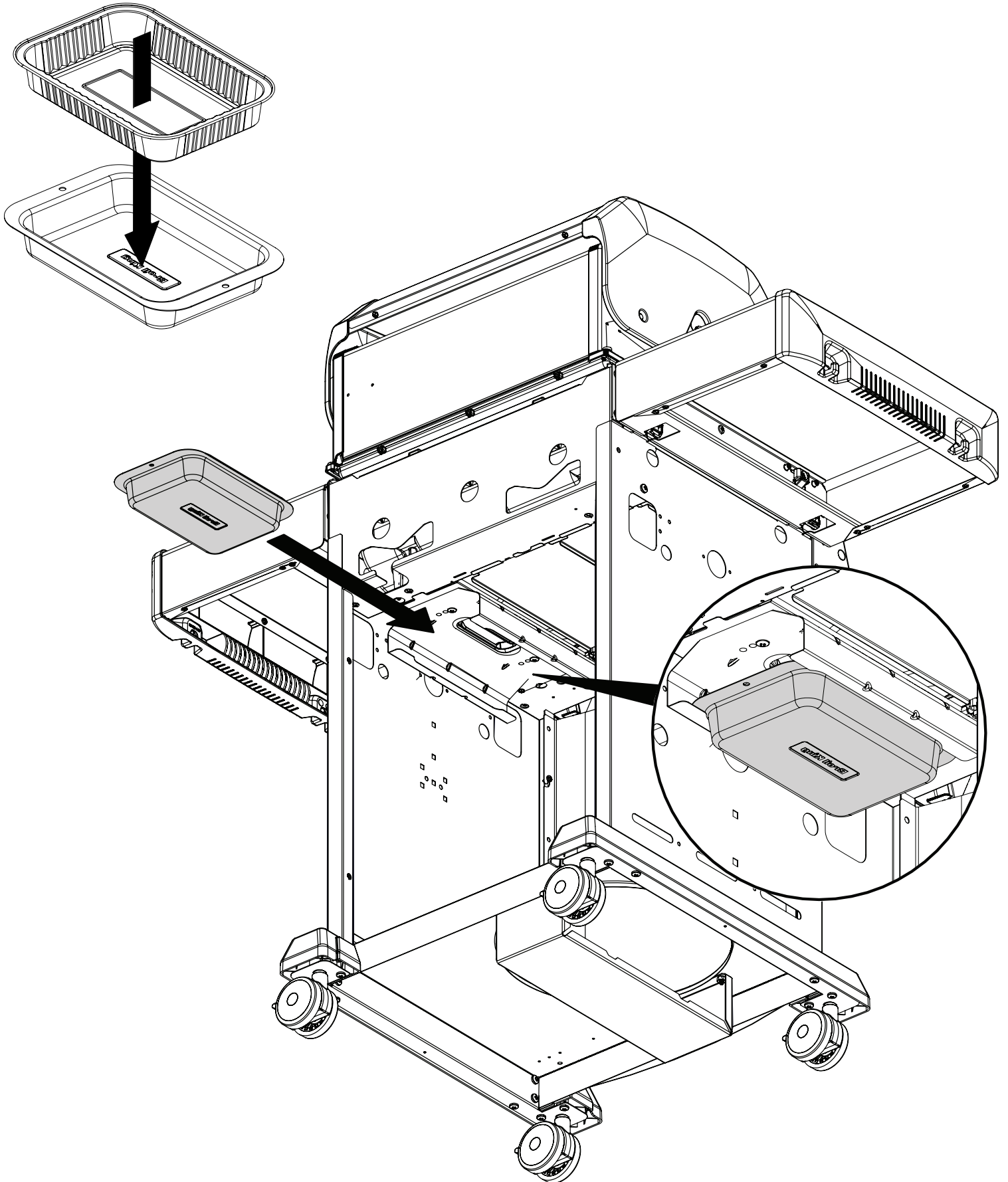


15

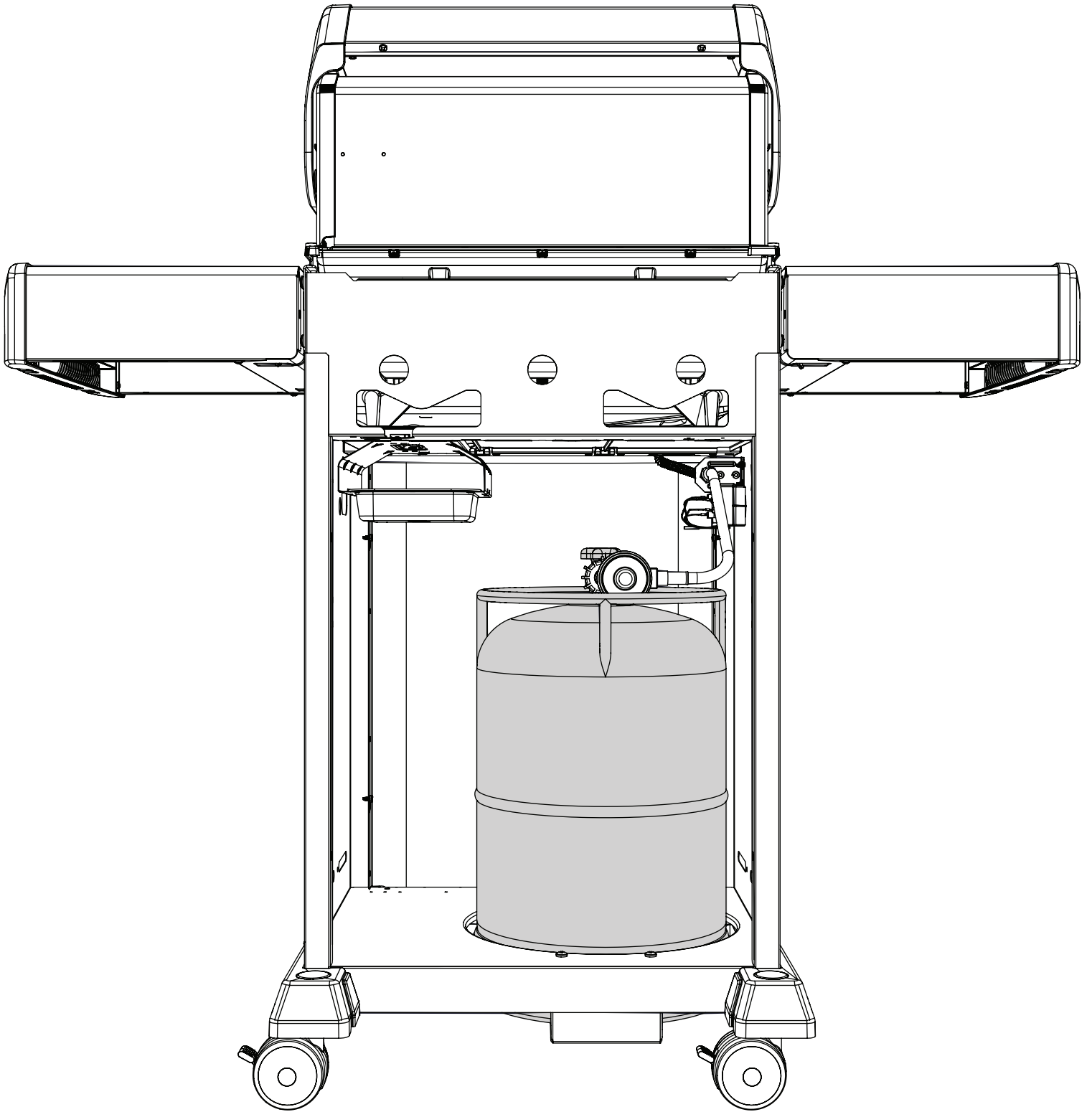
(2)



16



17



PARTS LIST / LISTE DES PIECES

<u>KEY #</u>	<u>ITEM #</u>	<u>DESCRIPTION</u>	<u>8640-52</u>	<u>8640-53</u>	<u>8640-56</u>
1	50909-E331	CASTING BOTTOM	1	1	1
2	56004-801	LID ASSEMBLY	1	1	1
3	52019-911	FIRE BOX END CAP - LH	1	1	1
4	52019-931	FIRE BOX END CAP - RH	1	1	1
5	52049-042	HEAT SHIELD	2	2	2
6	52049-142	HEAT SHIELD	1	1	1
7	Y-11544S	SCREW - BURNER	3	3	3
8	S21242	BURNER CLIP	3	3	3
12	52313-151	HOOD PANEL	1	1	1
13	52034-914	FRONT TRIM	1	1	1
18	52001-981	GRID - SINGLE CI	3	3	3
20	52004-991	GRID - WARMING RACK	1	1	1
21	59804-012	CONTROL ASSEMBLY	1	•	•
	59804-013	CONTROL ASSEMBLY	•	1	•
	59804-016	CONTROL ASSEMBLY	•	•	1
22	52014-903	COLLECTOR BOX	1	1	1
24	10111-16A	CONNECTOR HOSE	1	1	1
25	52924-144D	BURNER	1	•	•
	52924-144E	BURNER	•	1	1
26	52002-298A	CONTROL KNOB	3	3	3
28	52023-124CRO	CONTROL COVER	1	1	1
31	52009-918	EDGE CAP - LH	1	1	1
32	52009-938	EDGE CAP - RH	1	1	1
35	52039-101	SIDE BRACE	2	2	2
37	53139-908	SHELF BRACKET	4	4	4
38	Y-12620	SHELF LOCK CLIP	4	4	4
39	52044-111	BRACE - FRONT / REAR	2	2	2
41	10342-E13	ELECTRODE	1	1	1
42	10342-E22	ELECTRODE	1	1	1
44	10342-42	ELECTRONIC IGNITOR	1	1	1
44A	25070-925	WIRE - IGNITOR	1	1	1
44B	25070-931	BUTTON - IGNITOR	1	1	1
48	52004-007	GREASE PAN	1	1	1
49	51009-007	GREASE TRAY	1	1	1
50	52059-101	GREASE TRAY SUPPORT	1	1	1
51	52009-104	FLAV-R-WAVE ®	3	3	3
52	52349-004	GREASE SHIELD	1	1	1
53	52249-004	GREASE SHIELD	1	1	1
54	52049-004	GREASE SHIELD	1	1	1
56	24004-12A	HANDLE	1	1	1
58	24009-936	BEZEL	2	2	2
59	10081-BK630	NAMEPLATE	1	1	1
60	10571-6	HEAT INDICATOR	1	1	1
65	20005-000	MATCH LIGHT - STICK	1	1	1
69	51584-106	FRONT PANEL	1	1	1
80	51189-101	SIDE PANEL	2	2	2
81	Y-11992	SCREW 1/4-20 x 2 1/4	4	4	4
87	Y-11793	NUT 1/4-20	4	4	•
90	51624-131	BASE	1	1	•
	51624-171	BASE	•	•	1
99	32001-151	CASTOR BRACKET CAP	4	4	4

PARTS LIST / LISTE DES PIECES

<u>KEY #</u>	<u>ITEM #</u>	<u>DESCRIPTION</u>	<u>8640-52</u>	<u>8640-53</u>	<u>8640-56</u>
100	51639-108	CASTOR BRACKET	2	2	2
101	51039-101	CASTOR BRACKET SUPPORT	2	2	2
102	10892-286	CASTOR	4	4	4
103	21039-301	TANK BRACKET	1	1	•
107	Y-12853	WASHER	11	11	11
114	53109-111	SHELF	2	2	2
140	S21125S	SCREW #8 X 1/2	6	6	6
141	Y-11559	BOLT 1/4-20 X 1	2	2	2
142	S21125	SCREW #8 X 1/2	6	6	6
145	S21235	HINGE PIN	2	2	2
146	S21233	HITCH PIN CLIP	2	2	2
147	Y-11231	LID BUMPER	4	4	4
154	Y-12129	WIRE CLIP	2	2	2
159	S21127S	SCREW #8-32 X 7/16	6	6	6
160	Y-29304	SCREW #10-24 X 3/8	6	6	6
161	Y-12310	SCREW 1/4-20 X 3/4	8	8	8
186	Y-12865	SCREW 1/4-20 X 3/4	44	44	40

